



MODEL 78090 3600 LBS. CAPACITY CAR DOLLY  
**SETUP • OPERATING • MAINTENANCE INSTRUCTIONS**

Note: Revision letters (A, B, C, D etc.) after model numbers have been omitted as they do not affect the setup, operating and maintenance instructions of a particular jack unless otherwise noted.

**IMPORTANT: READ THESE INSTRUCTIONS BEFORE OPERATING**

**BEFORE USING THIS CAR DOLLY, READ THIS MANUAL COMPLETELY AND THOROUGHLY, UNDERSTAND ITS OPERATING PROCEDURES, SAFETY WARNINGS AND MAINTENANCE REQUIREMENTS. FAILURE TO DO SO COULD CAUSE ACCIDENTS RESULTING IN SERIOUS OR FATAL PERSONAL INJURY AND/OR PROPERTY DAMAGE.**

The use of car dollies is subject to certain hazards that cannot be prevented by mechanical means, but only by the exercise of intelligence, care, and common sense. It is therefore essential to have owners and personnel involved in the use and operation of equipment who are careful, competent, trained, and qualified in the safe operation of the equipment and its proper use. Examples of hazards are dropping, tipping, or slipping of motor vehicles or their components caused primarily by improperly securing loads, overloading, off-centered loads, use on other than hard level

surfaces, and using equipment for a purpose for which it was not designed. It is the responsibility of the owner to make sure all personnel read this manual prior to using this device. It is also the responsibility of the device owner to keep this manual intact and in a convenient location for all to see and read. If the manual is lost or not legible, contact Norco Industries, Inc. for a free replacement. If the operator is not fluent in English, the product and safety instructions shall be read to and discussed with the operator in the operator's native language by the purchaser/owner or his designee, making sure that the operator comprehends its contents.

**WARRANTY**

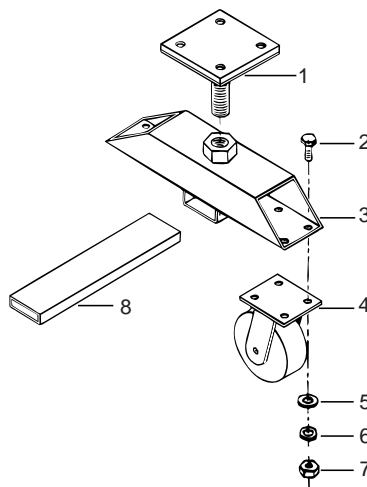
This car dolly is covered by a Limited Lifetime Warranty. For details see the back cover of Norco's product catalog.

**⚠ WARNING**

- Inspect dolly for mechanical fitness before using. Do not use the dolly if it is damaged, altered, modified, in poor condition, worn out, or unstable due to loose or missing hardware or components. Take corrective action before using the dolly. Replace rubber lift pads when necessary.
- Make sure all nuts and bolts are tightened before using.
- Before supporting a vehicle, refer to the vehicle's service manual or inquire from the vehicle manufacturer the recommended dolly support points on the vehicle chassis.
- Position vehicle on dolly/dollies where weight distribution is equalized.
- Never spread the width of the outriggers beyond the ends of the tie bar. All outriggers should be in full contact with the tie bar at all times.
- Never adjust lift pads higher than five inches from the top of the steel outriggers to the top of the rubber pads.
- Use on a hard level concrete surface only.
- Do not use beyond rated capacity.
- Make sure setup is stable and secure before moving a vehicle supported by dolly/dollies.
- Do not position personal body under vehicle when placing vehicle on dolly/dollies or when vehicle is supported by dolly/dollies.
- No alterations should be made to this product.
- Only attachments and/or adapters supplied by Norco shall be used.

**SETUP**

INDEX NO.	PART NO.	DESCRIPTION	QTY.
1	940082	Adjustable Lift Pad Assy.	2
2	11054	5/16"-18 x 1" Hex Bolt	16
3	940084	Outrigger Base Assembly	2
4	940086	Caster Assembly	4
5	2071	5/16" Flat Washer	16
6	2034	5/16" Split Medium Lockwasher	16
7	1082	5/16" Hex. Nut	16
8	940081	Tie Bar	1



1. Secure caster assembly (4) to the outrigger base assemblies (3) using the hardware provided as shown. Tighten all bolts and nuts firmly. Make sure the two grease zerk fittings on each caster assembly are greased.
2. Install adjustable lift pad assemblies (1) into both outrigger base assemblies (3) as shown. Never screw lift pad assemblies out more than 5" from the top of the steel outrigger to the top of the rubber pad.
3. Install complete outrigger assemblies on either ends of the tie bar (8) and position as required.

## OPERATING INSTRUCTIONS

1. The car dolly/dollies support a vehicle with or without tires. Consult the vehicle manufacturer for the proper dolly support locations on the vehicle.
2. A vehicle must be raised high enough off the ground for the car dolly to roll (unobstructed) underneath the frame. Make sure the vehicle is adequately and safely supported by the lifting device. Follow all applicable safety and warning instructions pertaining to the lifting device. The car dolly is intended to be used across the width of a vehicle.
3. Position the outrigger base assemblies under the vehicle lifting points by sliding the outrigger bases on the tie bar. Make sure there are no under vehicle parts that will touch the tie bar when the vehicle is lowered on to the adjustable lift pad assemblies. The adjustable lift pad assemblies can be turned in a counterclockwise direction to raise the height of the lift pads or turned in a clockwise direction to lower the lift pads. Adjust the height of the lift pads accordingly to eliminate the possibility of under vehicle parts touching the tie bar.
4. Very slowly and carefully lower the vehicle to see if the lift pads are aligned with the vehicle's support locations. Readjust the location of the lift pads if necessary. Once the lift pads are aligned with the vehicle's support locations, slowly and carefully lower the vehicle onto the lift pads. Check to see that the setup is safe and secure before removing the lifting device. If the setup is not safe and secure, raise the vehicle high enough to realign the lift pads with the vehicle support locations. The vehicle support locations should be centered on the lift saddles. The majority of the load should never be applied to the peripheral edge of the lift saddles.
5. After the setup is safe and secure, remove the lifting device from the vehicle or slowly push the vehicle away from the above-ground lift.
6. The loaded car dolly should always be used on a hard and level concrete surface.

---

## PREVENTATIVE MAINTENANCE

1. Always store the dolly in a well protected area where it will not be exposed to inclement weather, corrosive vapors, abrasive dust, or any other harmful elements. The dolly must be cleaned of water, snow, sand, or grit before using.
2. The dolly must be lubricated periodically. A general purpose grease must be applied to caster wheels' zerk fittings and the threads on the adjustable lift pad assemblies.
3. Every dolly owner is responsible for keeping the dolly label clean and readable. Use a mild soap solution to wash external surfaces of the dolly but remember to dry all components after washing to prevent rusting. Contact Norco Industries for a replacement label if your dolly's label is not readable.
4. Inspect the dolly before each use. Do not use the dolly if any component is cracked, broken, bent or shows signs of damage. Do not use the dolly if it has loose or missing hardware or components, or is modified in any way. Take corrective action before using the dolly again.

---

## REPAIR SERVICE

If your Norco product requires service or repair, contact the Norco Customer Service Department for the location of the nearest Norco Authorized Service Center.

Norco Industries, Inc.  
365 West Victoria St.  
Compton, CA 90220  
(310) 639-4000 • Fax: (310) 639-7411  
[www.norcoindustries.com](http://www.norcoindustries.com)

It will be necessary to provide the Norco Authorized Service Center with a copy of the bill of sale if requesting warranty repair. If the authorized service center determines your product is eligible for warranty repair, the repair will be made at no charge and returned freight prepaid. The cost of non-warrantable service, repair, and return freight is the customer's responsibility.