



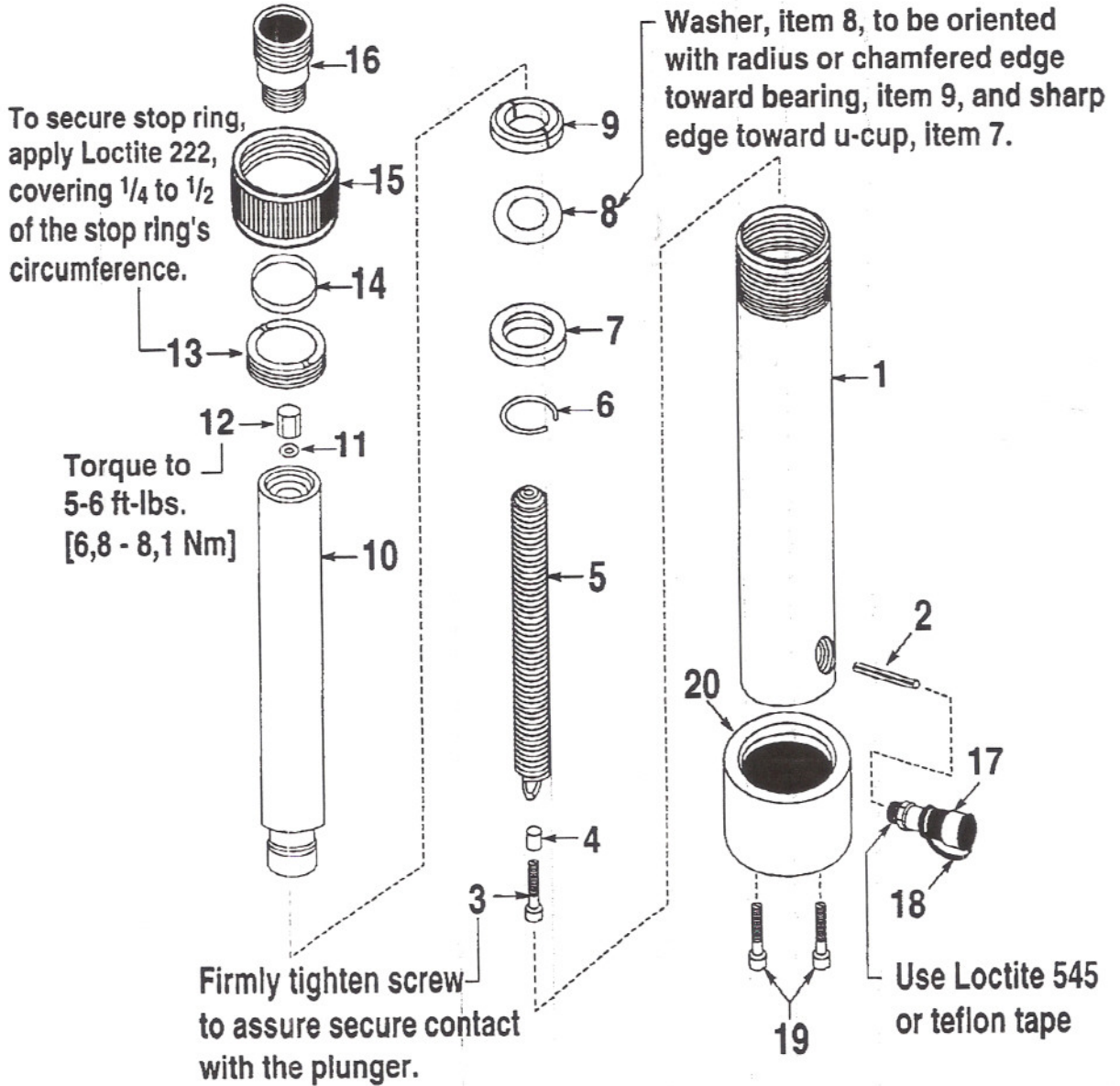
PROFESSIONAL LIFTING EQUIPMENT

# Repair Parts Sheet

## 925024, 925025A & 925027A

L-1994  
Rev. B  
12/97  
PC4214

Models With Date Code Beginning With "O"



*nylon Thread protector = DC1244271*

**INSTALL ALL KIT COMPONENTS TO INSURE A COMPLETE AND PROPER REPAIR.**

## REPAIR PARTS LIST

Item No.	Part Numbers			Qty.	Description
	925024	925025A	925027A		
1	BSG893005	BSG894005	BSG894005	1	Cylinder
2	B1157057	B1157057	B1157057	1	Roll Pin
3	F958028SR	F958028SR	F958028SR	1	Screw (incl. items 4, 11, 12)
4	F948209	F948209	F948209	1	Bushing
5	F937110SR	F937110SR	L119110SR	1	Spring (incl. items 4, 11, 12)
6	★G908044	★G908044	★G908044	1	Retaining Ring
7	★CH800041	★CH800041	★CH800041	1	U-Cup
8	★G907108	★G907108	★G907108	1	Washer
9	G898107	G898107	G898107	1	Split Ring
10	G896040	G897040	G895040	1	Plunger
11	★G834167	★G834167	★G834167	1	Gasket
12	G833055SR	G833055SR	G833055SR	1	Nut (incl. item 11)
13	G899044	G899044	G899044	1	Stop Ring
14	★G731044	★G731044	★G731044	1	Wiper
15	R158271	DC1244271	...	1	Thread Protector
16	A252G	DA5416038	DA5416038	1	Saddle
17	DA1207900	DA1207900	DA1207900	1	Coupler
18	DA4338900	DA4338900	DA4338900	1	Dust Cap
19	...	B1139028	B1139028	2	Capscrew
20	...	G929038	G929038	1	Adaptor

★ Indicates items included in the Repair Kit RC2510K.