

L1860 Rev. F 08/06

P18 Models-Date Codes beginning with the letter "G".
P39, 1003 Models-Date Codes beginning with the letter "H".

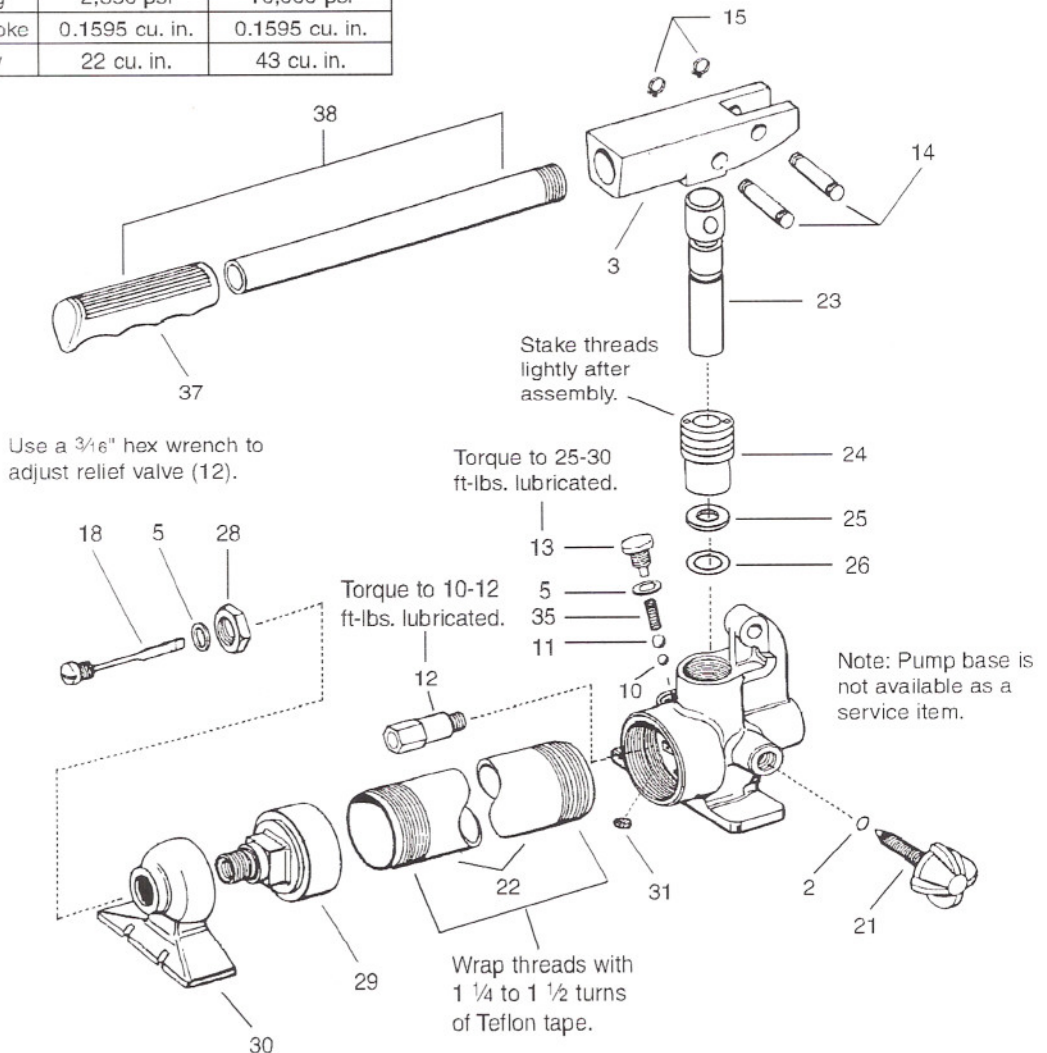
To Protect Your Warranty, Use Only ENERPAC Hydraulic Oil.
Enerpac recommends that all kit components be installed to insure optimum performance of the repaired product.



WARNING: To ensure that the internal relief valve setting is correct, check the model number when servicing the product. The setting may require adjustment based on the pressure setting designated by the dash code (-XXXX) of the model number.

SPECIFICATIONS

Model Number	P-18	P-39, 1003
Operating Pressure	2,850 psi max.	10,000 psi max.
Relief Valve Setting	2,850 psi	10,000 psi
Oil Volume per Stroke	0.1595 cu. in.	0.1595 cu. in.
Reservoir Capacity	22 cu. in.	43 cu. in.



Repair Parts List for P18 & P39, 1003 Hand Pumps

Item	Part Number	Qty.	Description	Item	Part Number	Qty.	Description
2	★	1	O-Ring	23	DA8954900SR	1	Piston Link Assembly
3	B113060-1	1	Beam	24	DA6853446SR	1	Piston Sleeve (Inc. item 25 and 26)
5	★	2	Gasket	25	★	1	O-Ring
10	★	1	Ball	26	★	1	Teflon Back-Up Ring
11	★	1	Ball	28	P75181	1	Lock Nut
12	DA8802900SR	1	Relief Valve Assembly	29	P75266-1	1	Reservoir
13	K3006SR,	1	Valve Plug (Includes items 5, 10, 11, and 35)	30	P76267-1	1	Pump Rest
14	DC106061SR1	2	Beam Pin (Inc. two of item 15)	31	★	1	Oil Strainer
15	★	4	Retaining Ring	35	★	1	Spring
18	B110900SR	1	Filler Plug (Inc. item 5)	37	CL343550	1	Grip
21	DA8786900SR	1	Release Valve (Inc. item 2)	38	C7900SR	1	Handle/Grip Assembly
22	B381025	1	Reservoir - P18 only				
	P1625	1	Reservoir				

★ Items included in and available only as part of Repair Kit P39K4. For Viton seals, order Repair Kit P39K3V.

Enerpac Worldwide Locations

Africa
 ENERPAC Middle East FZE
 P.O. Box 18004
 Jebel Ali, Dubai
 United Arab Emirates
 Tel: +971 (0)4 8872686
 Fax: +971 (0)4 8872687

Australia
 Actuant Australia Ltd.
 Block V Unit 2
 Regent Park Estate
 391 Park Road
 Regent Park, NSW 2143
 P.O. Box 261, Australia
 Tel: +61 297 438 968
 Fax: +61 297 438 948

Brazil
 Power Packer do Brasil Ltda.
 Rua dos Incendios, 587
 01704-050 - Sao Paulo (SP)
 Tel: +55 11 5987 3211
 Fax: +55 11 5986 6583
 Toll Free in Brazil:
 Tel: 0800 891 8770
 vendasbrasil@enerpac.com

Canada
 Actuant Canada Corporation
 8015 Oridan Drive, Unit 14-15
 Mississauga, Ontario L5T 1X7
 Tel: +1 905 561 5718
 Fax: +1 905 561 0305
 Toll Free:
 Tel: +1 800 268 4987
 Fax: +1 800 461 2456
 Technical Inquiries:
 techservices@enerpac.com

China
 Actuant China Ltd.
 1F, 268 Fute N. Road
 Waigaoqiao Free Trade Zone
 Pudong New District
 Shanghai, 200131 China
 Tel: +86 21 5865 9099
 Fax: +86 21 5860 7166

Actuant China Ltd. (Beijing)
 709B Diyang Building
 Xin No. 2
 Dong San Huan North Rd.
 Beijing City
 100028 China
 Tel: +86 10 845 36166
 Fax: +86 10 845 36220

Central and Eastern Europe, Greece
 ENERPAC B.V.
 Galvanisstraat 115
 P.O. Box 8097
 6710 AB Ede
 The Netherlands
 Tel: +31 318 535 936
 Fax: +31 318 535 951

France, Switzerland francophone
 ENERPAC
 Une division de ACTUANT
 France S.A.
 B.P. 200, Parc d'Activites
 du Moulin de Massy
 F-91862 Massy CEDEX France
 Tel: +33 1 69 13 68 68
 Fax: +33 1 69 20 37 50

**Germany, Austria, Greece
 and Switzerland**
 ENERPAC GmbH
 P.O. Box 300113
 D-40401 Düsseldorf
 Germany
 Tel: +49 211 471 490
 Fax: +49 211 471 49 28

India
 ENERPAC Hydraulics
 (India) Pvt. Ltd.
 Office No. 9, 10 & 11,
 Plot No. 56, Monarch Plaza,
 Sector 11, C.B.D. Belapur
 Navi Mumbai-400614, India
 Tel: +91 22 2756 6090
 Tel: +91 22 2756 6091
 Fax: +91 22 2756 6095

Italy
 ENERPAC S.p.A.
 Via Canova 4
 20094 Corsico (Milano)
 Tel: +39 02 4861 111
 Fax: +39 02 4860 1288

Japan
 Applied Power Japan Ltd.
 Goshochou 85-7
 Saitama-shi, Kita-ku,
 Saitama 331-0821
 Japan
 Tel: +81 48 662 4911
 Fax: +81 48 662 4955

**Middle East, Turkey and
 Caspian Sea**
 ENERPAC Middle East FZE
 P.O. Box 18004
 Jebel Ali, Dubai
 United Arab Emirates
 Tel: +971 (0)4 8872686
 Fax: +971 (0)4 8872687

**Russia and CIS
 (excl. Caspian Sea Countries)**
 Actuant LLC
 Admiral Malakov Street 8
 125012 Moscow, Russia
 Tel: +7 495-9609091
 Fax: +7 495-9609092

Singapore
 Actuant Asia Pte. Ltd.
 25 Serangoon North Ave. 5
 #03-01 Koppel Digital
 Singapore 554914
 Thompson Road
 P.O. Box 114
 Singapore 915704
 Tel: +65 64 84 5108
 +65 64 84 3737
 Fax: +65 64 84 5669
 Toll Free: +1800 363 7722
 Technical Inquiries:
 techsupport@enerpac.com.sg

Internet: www.enerpac.com

South Korea
 Actuant Korea Ltd.
 3Ba 717,
 Shinhe Industrial Complex
 Jungwang-Dong, Shing-Si,
 Republic of Korea 428-450
 Tel: +82 31 434-4506
 Fax: +82 31 434-4507

Spain and Portugal
 ENERPAC
 C/San Jose Artesano 9
 Pol. Ind.
 28108 Alcobendas
 (Madrid) Spain
 Tel: +34 91 661 11 26
 Fax: +34 91 661 47 89

**The Netherlands, Belgium,
 Luxembourg, Sweden,
 Denmark, Norway, Finland
 and Baltic States**
 ENERPAC B.V.
 Galvanisstraat 115
 P.O. Box 8097, 6710 AB Ede
 The Netherlands
 Tel: +31 318 535 911
 Fax: +31 318 535 913
 +31 318 535 948

Technical Inquiries Europe:
 techsupport.europe@enerpac.com

United Kingdom, Ireland
 ENERPAC Ltd.
 Enerpac Ltd
 Bentley Road South
 Darlaston, West Midlands
 WS10 8LQ, United Kingdom
 Tel: +44 (0)121 50 50 787
 Fax: +44 (0)121 50 50 799

**USA, Latin America
 and Caribbean**
 ENERPAC
 P.O. Box 3241
 6100 N. Baker Road
 Milwaukee, WI 53209 USA
 Tel: +1 262 781 5000
 Fax: +1 262 783 9562

All Enerpac products are guaranteed against defects in workmanship and materials for as long as you own them.
 For your nearest authorized Enerpac Service Center, visit us at www.enerpac.com

Inquiries/orders:
 +1 800 558 0530
Technical inquiries:
 techservices@enerpac.com