

**NORCO**<sup>®</sup>

PROFESSIONAL LIFTING EQUIPMENT

## Repair Parts Sheet

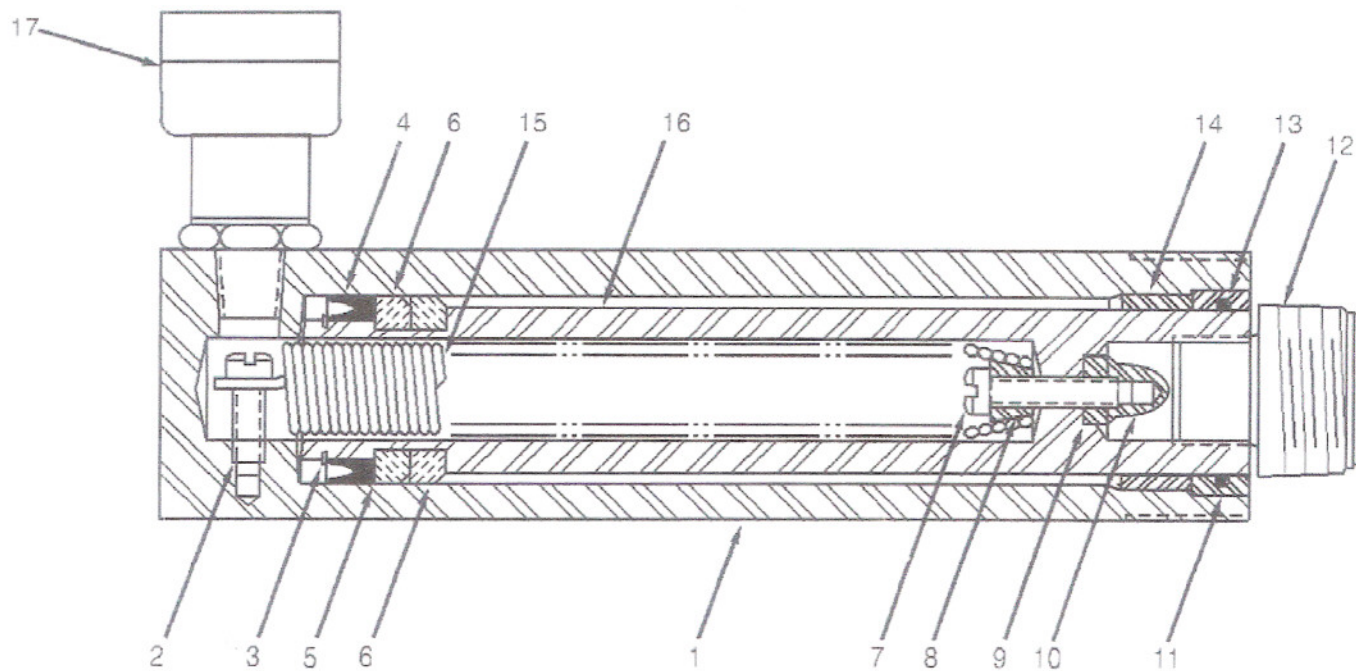
910026A, 910027A, 910029A, 910047, 910030

L.1982 Rev. B 10/00

For Date Codes Beginning with the Letter "D"

**To Protect Your Warranty, Use Only High Quality Hydraulic Oil.**

Install All Kit Components to Insure a Complete and Proper Repair.



Cylinder base is not available as a service item.  
Order complete cylinder.

### Repair Parts List

| Item No. | Part Numbers |                    |                    |                    |                    | Qty. | Description                     |
|----------|--------------|--------------------|--------------------|--------------------|--------------------|------|---------------------------------|
|          | 910027A      | <del>910027A</del> | <del>910027A</del> | <del>910027A</del> | <del>910027A</del> |      |                                 |
|          | ↓            | 910026A            | 910029A            | 910030             | 910047             |      |                                 |
| 2        | ★            | ★                  | ★                  | ★                  | ★                  | 1    | Screw                           |
| 3        | ★            | ★                  | ★                  | ★                  | ★                  | 1    | Retaining Ring                  |
| 4        | ★            | ★                  | ★                  | ★                  | ★                  | 1    | U-Cup                           |
| 5        | ★            | ★                  | ★                  | ★                  | ★                  | 1    | Washer                          |
| 6        | G382107      | G382107            | G382107            | G382107            | G382107            | 2    | Rod Bearing                     |
| 7        | DA2286028    | B1014028           | B1014028           | B1014028           | B1014028           | 1    | Screw                           |
| 8        | ••••         | F948209            | F948209            | F948209            | F948209            | 1    | Bushing                         |
| 9        | ••••         | ★                  | ★                  | ★                  | ★                  | 1    | Gasket                          |
| 10       | ••••         | G833055SR          | G833055SR          | G833055SR          | G833055SR          | 1    | Acorn Nut<br>(Including Item 9) |
| 11       | G385044      | G385044            | G385044            | G385044            | G385044            | 1    | Bearing Stop Ring               |
| 12       | CH685045     | CH685045           | CH685045           | CH685045           | CH685045           | 1    | Saddle Assembly                 |
| 13       | ★            | ★                  | ★                  | ★                  | ★                  | 1    | Wiper                           |
| 14       | ••••         | G831446            | ••••               | G831446            | G831446            | 1    | Bearing Sleeve                  |
| 15       | L202110SR    | F937110SR          | F938110SR          | Cf29011SR          | CB425110SR         | 1    | Spring                          |
| 16       | DA2283040    | G838040            | G830040            | CF370040           | DA2284040          | 1    | Plunger                         |
| 17       | 910038A      | 910038A            | 910038A            | 910038A            | 910038A            | 1    | Half Coupler                    |
| 18       | A102GU001    | ••••               | ••••               | ••••               | ••••               | 1    | Saddle (not shown)              |

★ Indicates items included in Repair Kit 910026AK