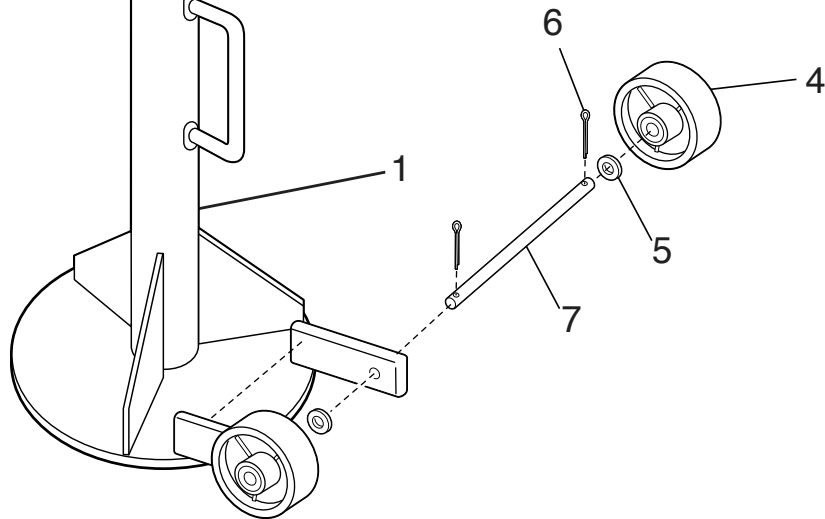


INDEX NO.	DESCRIPTION	PART NO.	REQ'D NO
1	Stand Assembly	400015	1
2	Spin Handle	400019	1
3	Grip	400022	2
4	Steel Wheel	487280	2
5	3/8 SAE Flat Washer	2016	4
6	1/8 x 1" Cotter Pin	45100000	2
7	Axle	45101152	1



3/19/26

**REPLACEMENT PARTS**

**MODEL NO.**  
81022B

**CAPACITY**  
20 TON

**DESCRIPTION**  
TRAILER STABILIZER STAND

