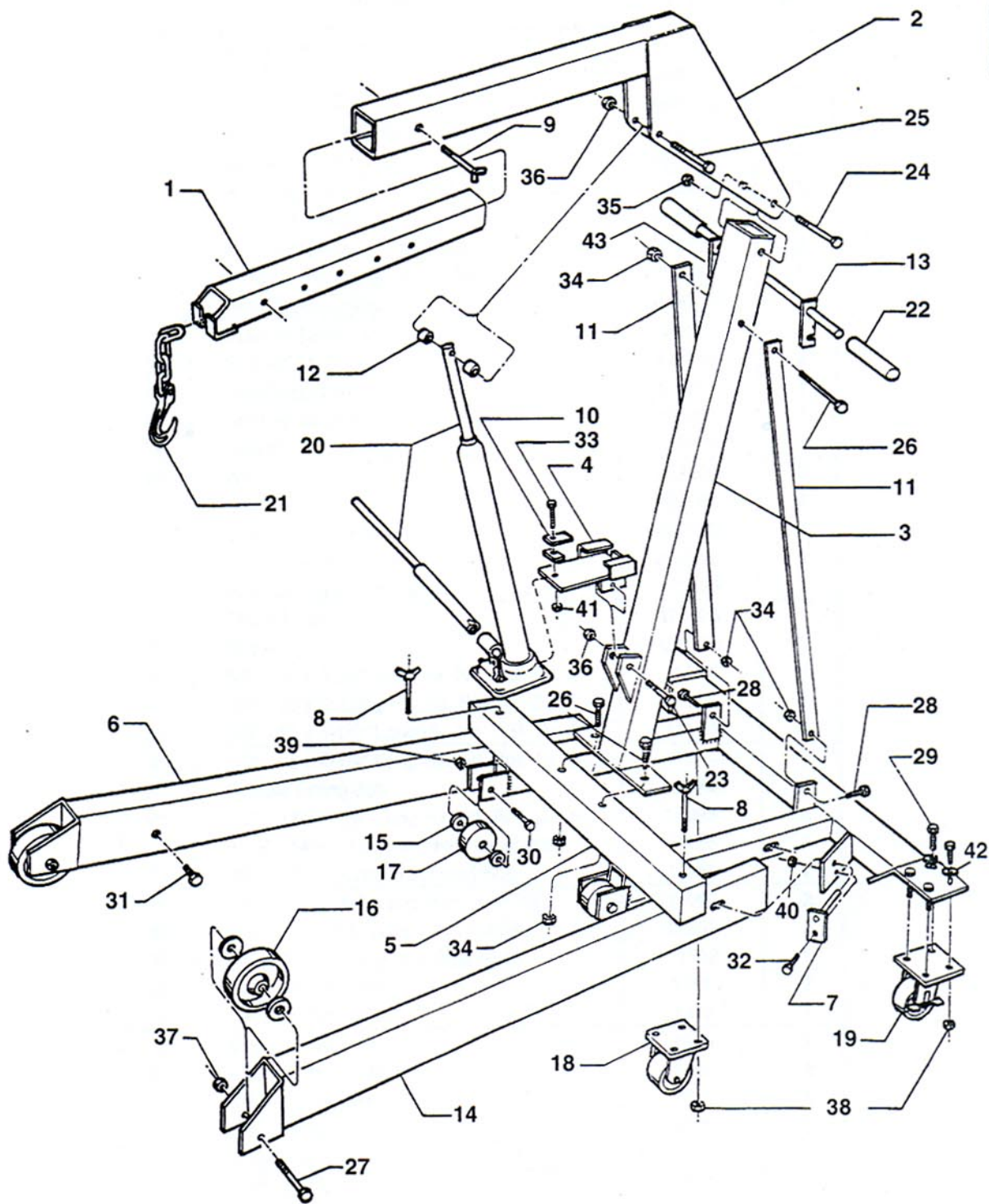


norco



DESCRIPTION
2 TON FOLDABLE SHOP CRANE

CAPACITY
2 TON

MODEL NO.
78106

REPLACEMENT
PARTS

ITEM NO.	DESCRIPTION	PART NO.	QTY.
1	Boom Extension	480250	1
2	Boom Assembly	480255	1
3	Upright Assembly	480260	1
4	Jack Perch Assembly	479270	1
5	Base Assembly	480275	1
6	Right Leg Assembly	480295	1
7	Leg Lock Assembly	479300	2
8	Jack w/ Release Valve	480265	2
9	Wing Bolt Assembly for Boom	479310	1
10	Jack Retainer Washer	479313	2
11	Support Strap	480314	2
12	Spacer	479316	2
13	Long Leg Lock	479318	1
14	Left Leg Assembly	480290	1
15	Spacer	479319	4
16	Wheel	492005	2
17	Composite Wheel	492008	2
18	Swivel Caster Wheel	492010	1
19	Swivel Caster Wheel w/ Lock	492015	1
20	76403LG Jack with Handle	479325	1
21	Chain Hook	479125	1
22	Grip	479248	2
23	5/8" - 11 x 3-3/4" Long Hx. Hd. Bolt, Gr. 5	11171	1
24	3/4" - 10 x 5" Long Hx. Hd. Bolt, Gr. 5	11176	1
25	5/8" - 11 x 4-1/2" Long Hx. Hd. Bolt, Gr. 5	11173	1
26	1/2" - 13 x 4-1/4" Long Hx. Hd. Bolt, Gr. 5	11174	3
27	Grease Fitting Bolt	492006	2
28	1/2" - 13 x 1-1/4" Long Hx. Hd. Bolt, Gr. 5	11093	2
29	7/16" - 14 x 1-1/2" Long Hex Head Bolt	11126	8
30	3/8" - 16 x 3" Long Hex Head Bolt	11086	2
31	3/8" - 16 x 1-1/4" Long Hex Head Bolt	11009	2
32	5/16" - 18 x 3/4" Long Hex Head Bolt	11052	2
33	1/4" - 20 x 1" Long Hex Head Bolt	11152	1
34	1/2" - 13 Nylock Nut	1056	7
35	3/4" - 10 Nylock Nut	1097	1
36	5/8" - 11 Nylock Nut	1098	2
37	1/2" - 20 Nylock Nut	1059	2
38	7/16" - 14 Nylock Nut	1089	8
39	3/8" - 16 Nut	1073	2
40	5/16" - 18 Nut	1082	2
41	1/4" - 20 Nut	1004	1
42	7/16" Flat Washer	2073	8
43	Short Leg Lock	479317	1