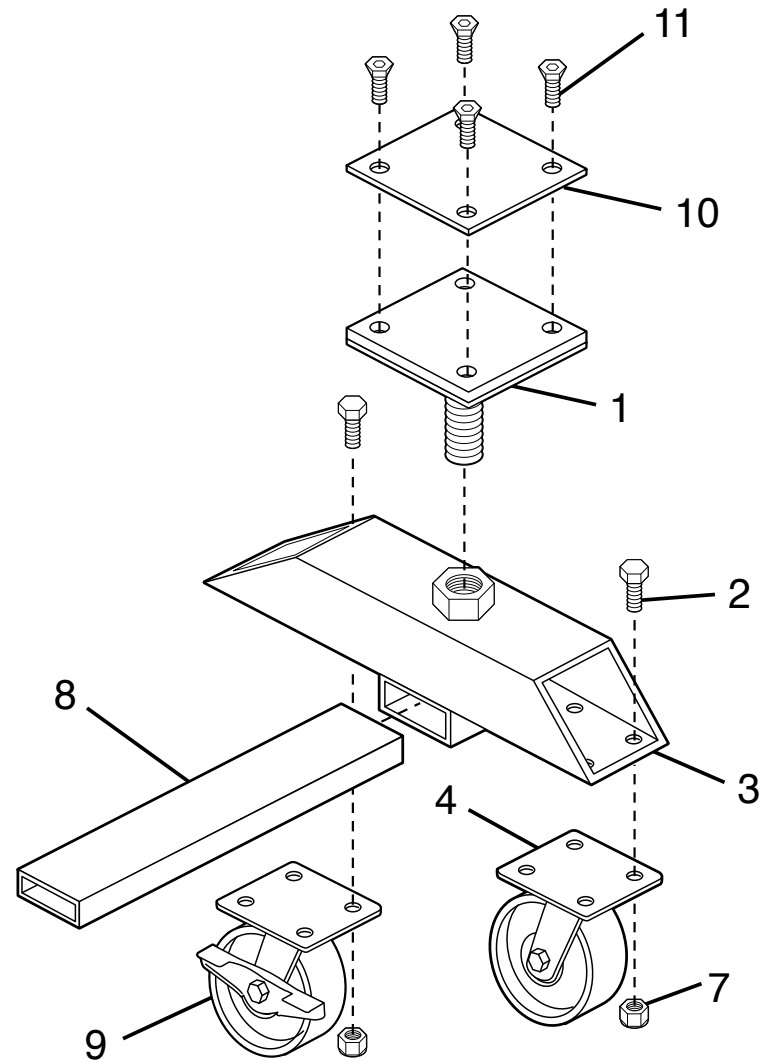


INDEX NO.	DESCRIPTION	78090A PART NO.	REQ'D NO.
1	Adjustable Lift Pad Assembly	45101073	1
2	3/8"-16 x 1" Hex Bolt	11237	16
3	Outrigger Base Assembly	45101074	2
4	Caster Assembly	45100210	2
7	3/8"-16 Nyloc Hex. Nut	1054	16
8	Tie Bar	45101075	1
9	Locking Caster Assembly	45100211	2
10	Rubber Pad	45100209	2
11	Lift Pad Bolts	45100128	8



2019

REPLACEMENT  
PARTS

MODEL NO.  
78090A

CAPACITY  
3600 LBS.

DESCRIPTION  
CAR DOLLY

**norco**