

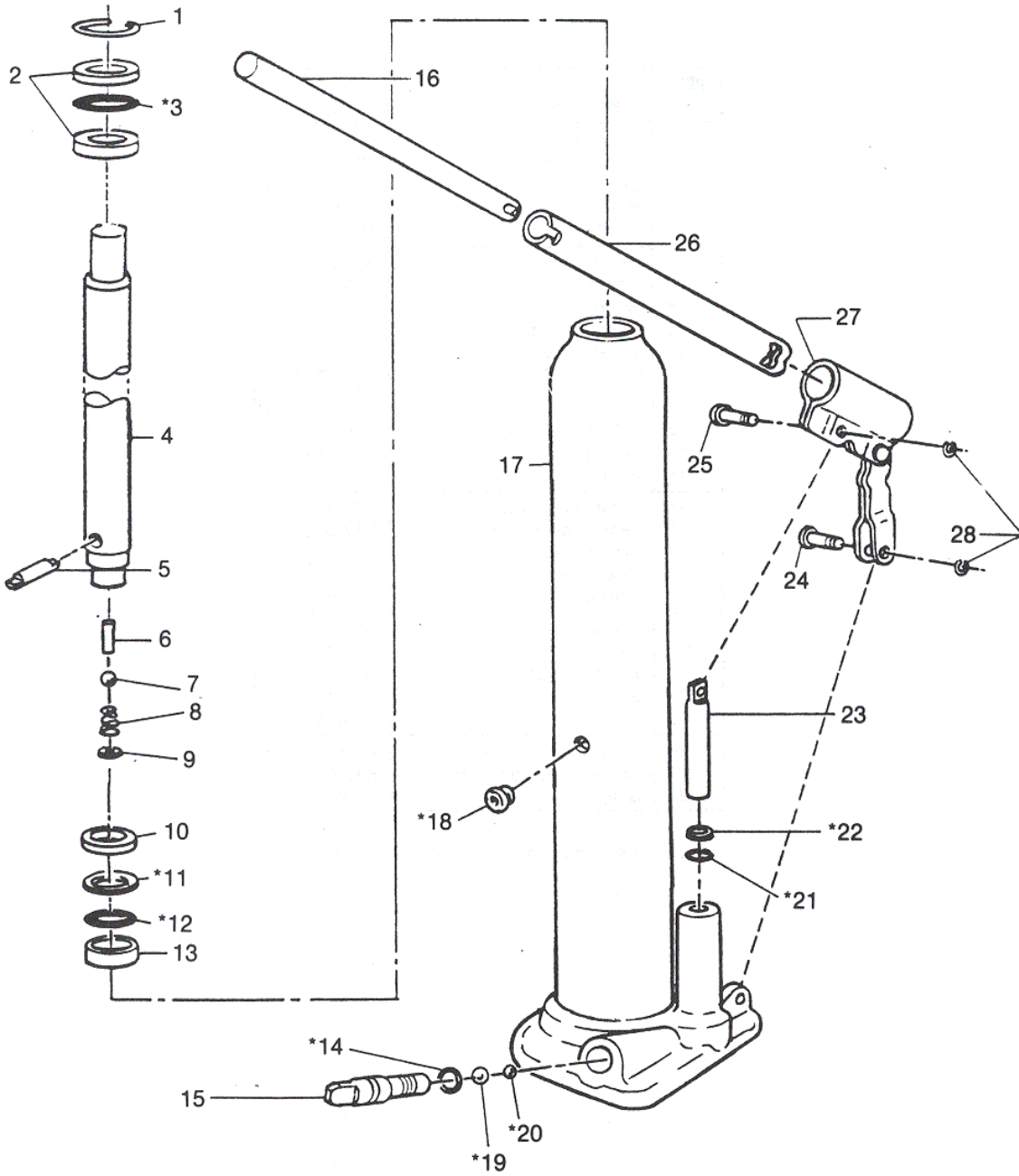
**norco**

DESCRIPTION  
PROFESSIONAL HYDRAULIC LONG HAND JACK

CAPACITY  
1-1/2

MODEL NO.  
76402

REPLACEMENT  
PARTS



INDEX NO.	DESCRIPTION	PART NO.	QTY.
1	Retaining ring	603011	1
2	Upper bearing	603013	2
*3	O-ring	603012	1
4	Ram	603023	1
5	Limit pin	603016	1
6	Valve pin	603022	1
7	Check ball	9004	1
8	Spring	4007	1
9	Retainer washer	2005	1
10	(A) Ram bearing	603017	1
*11	Back-up ring	603018	1
*12	O-ring	603019	1
13	(B) Ram bearing	603021	1
*14	O-ring	12001	1
15	Release valve	602056	1
16	Solid handle section	605108	1
17	Jack body assembly	603060	1
*18	Oil fill plug	11001	1
*19	Check ball	9005	1
*20	Check ball	9002	1
*21	O-ring	605027	1
*22	Back-up ring	605028	1
23	Pump plunger	605109	1
24	Pin	7007	1
25	Pin	7006	1
26	Tubular handle section	605107	1
27	Lever linkage assembly	605105	1
28	Snap ring	12003	2

\* = Represents those parts included in repair kit #603100.