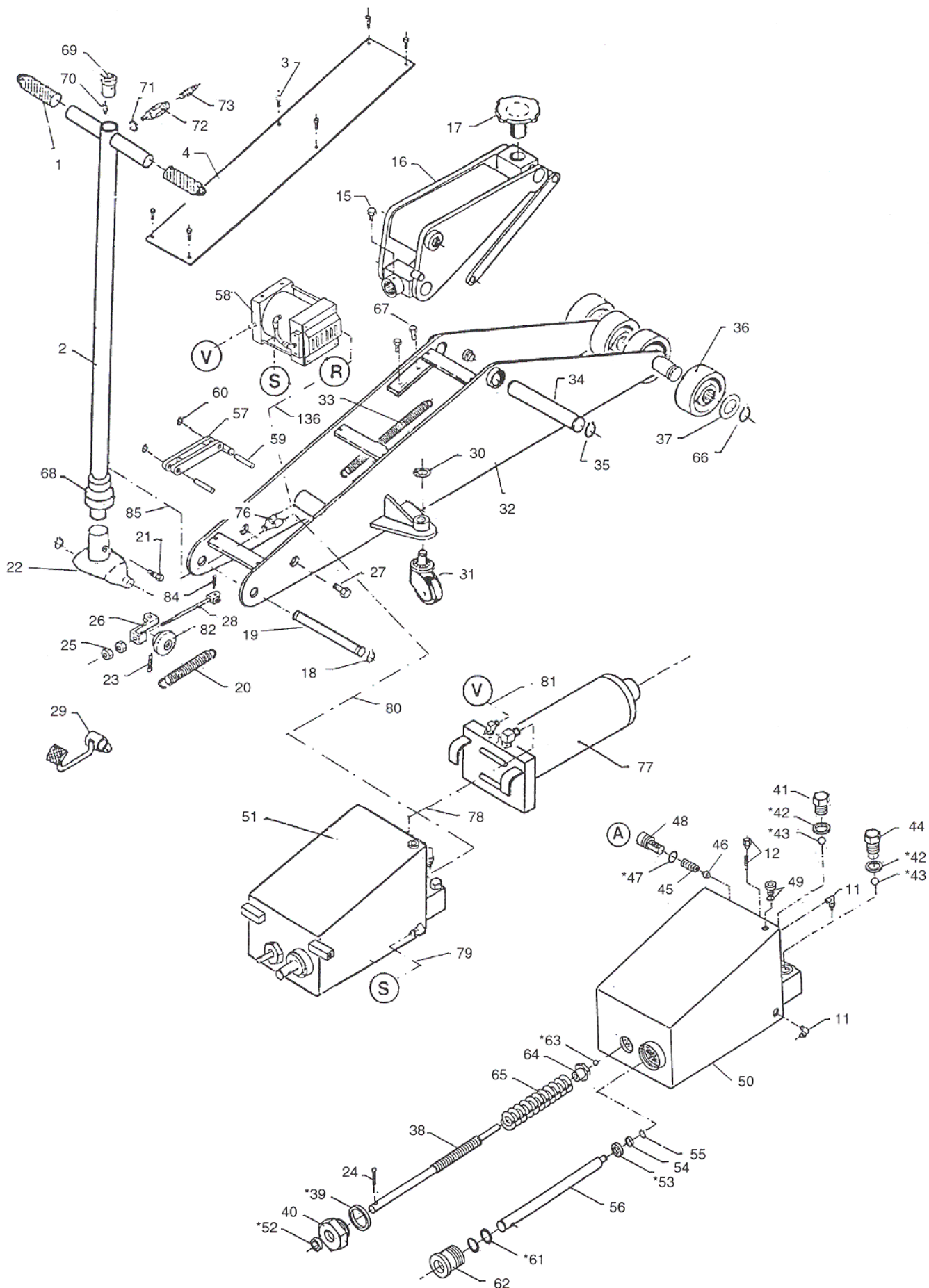


\* designates those parts  
 included in repair kit #210850  
 MODEL 72230





**MODEL NO.**  
72230

**CAPACITY**  
20 TON

**DESCRIPTION**  
AIR/HYDRAULIC FLOOR JACK

INDEX NO.	DESCRIPTION	PART NO.	QTY.
1	Handle grip	251113	2
2	Handle	220201	1
3	Cover screw	255639	6
4	Cover	220202	1
*5	Guide ring with O-ring	210714	1 ea.
*6	Bushing	210716	1
7	Ram	220203	1
*8	Bushing	210718	1
*9	O-ring	210719	1
10	Cylinder nut	210721	1
11	Air fitting	210736	2
12	Oil valve	210737	1
13	Cylinder	220204	1
*14	O-ring	210501	1
15	Screw	210722	1
16	Elevator arm assembly	220205	1
17	Saddle	220206	1
18	Retaining ring	255135	2
19	Shaft	210699	1
20	Extension spring	220207	1
21	Handle base screw	255122	1
22	Handle base	210723	1
23	Cotter pin	220208	1
24	Cotter pin	255206	1
25	Nut	255128	2
26	Release arm	210724	1
27	Screw	220224	2
28	Release lever	220209	1
29	Pump pedal	210727	1
30	Retaining ring	210254	2
31	Caster assembly	210267	2
32	Chassis assembly	220210	1
33	Spring	210266	1
34	Elevator arm shaft	220211	1
35	Retaining ring	210257	2
36	Front wheel	210729	4
37	Flat washer	210258	2
38	Release shaft	255114	1
*39	Gasket	255113	1
40	Release guide bushing	255112	1
41	Valve plug	210731	1
*42	Copper gasket	255018	2
*43	Check ball, .312 diameter	9005	2
44	Valve plug	210732	1
45	Overload spring	255525	1
46	Needle valve	210733	1
*47	O-ring	255523	1
48	Cover screw (overload)	255524	1
49	Oil plug	210734	1
50	Valve block	210738	1
51	Valve block assembly complete	210720	1
*52	Release oil seal	255111	1
*53	Pump piston u-cup	255107	1
54	Brass retaining washer	255108	1
55	Retaining ring	255109	1
56	Pump piston	210739	1
57	Rod connector	220212	1
58	Air pump complete	220215	1
59	Rivet pin	210742	2
60	Retaining ring	255120	4
*61	O-ring	255522	2
62	Pump bearing	255104	1
*63	Checkball	210743	1
64	Spring guide	255116	1
65	Spring	255115	1
66	Retaining ring	210513	2
67	Screw	220213	2
68	Dust cover	210748	1

INDEX NO.	DESCRIPTION	PART NO.	QTY.
69	Air valve complete	210730	1
70	Air fitting	210749	1
71	Washer	210751	1
72	Oil-mist lubricator	210735	1
73	Air disconnect nipple	210752	1
74	Air connection	220199	1
75			
76	*Y* air fitting	210756	1
77	Cylinder assembly complete	220220	1
78	Pressure pipe	210757	1
79	Air hose	220214	1
80	Air hose	220216	1
81	Pressure pipe	220217	1
82	Release hub	210762	1
83			
84	Cotter pin	210764	1
85	Air hose	220218	1
86	Fitting	210767	1
87	Fitting	220219	1
88	Screw	210769	4
89	Washer	210771	4
90	Cover	210772	1
91	Silencer	210773	1
92	Rubber gasket	210774	1
93	Cap	210776	1
*94	Copper washer	210777	1
95	Screw	210778	2
96	Cover	210779	1
97	Air connection	220221	1
*98	O-ring	210782	1
99	Pressure spring	210783	1
100	Spring guide	210784	1
101	Sleeve	210786	1
102	Excess pressure valve	210787	1
103	Set screw	210788	1
104	Top	210789	1
105	Guide bushing	210791	1
*106	O-ring	210792	2
107	Pipe	210793	1
108	Piston	210794	1
109	Sleeve	210796	1
110	Cover	210797	1
111	Screw	210798	2
112	Air connection	210799	1
113	Gasket	210801	1
*114	Backup and O-ring	210802	1 ea.
115	Air piston	210803	1
*116	O-ring	210804	1
117	Hose	210806	1
118	Hydraulic piston	210807	1
119	Washer	210808	1
120	Nut	210809	1
121	Bronze bushing	220222	1
122	Sleeve	210812	1
123	Spring	210813	1
124	Cylinder	210814	1
125	Pump housing	220223	1
*126	Copper ring	210817	2
127	Nipple	210818	1
*128	Copper ring	210819	2
129	Spring	210821	2
*130	Checkball	210822	2
131	Block	210823	1
132	Fitting	210824	1
133	Nipple	210826	1
134	Bolt	210827	2
135	Nut	210828	1
136	Air hose	210829	1