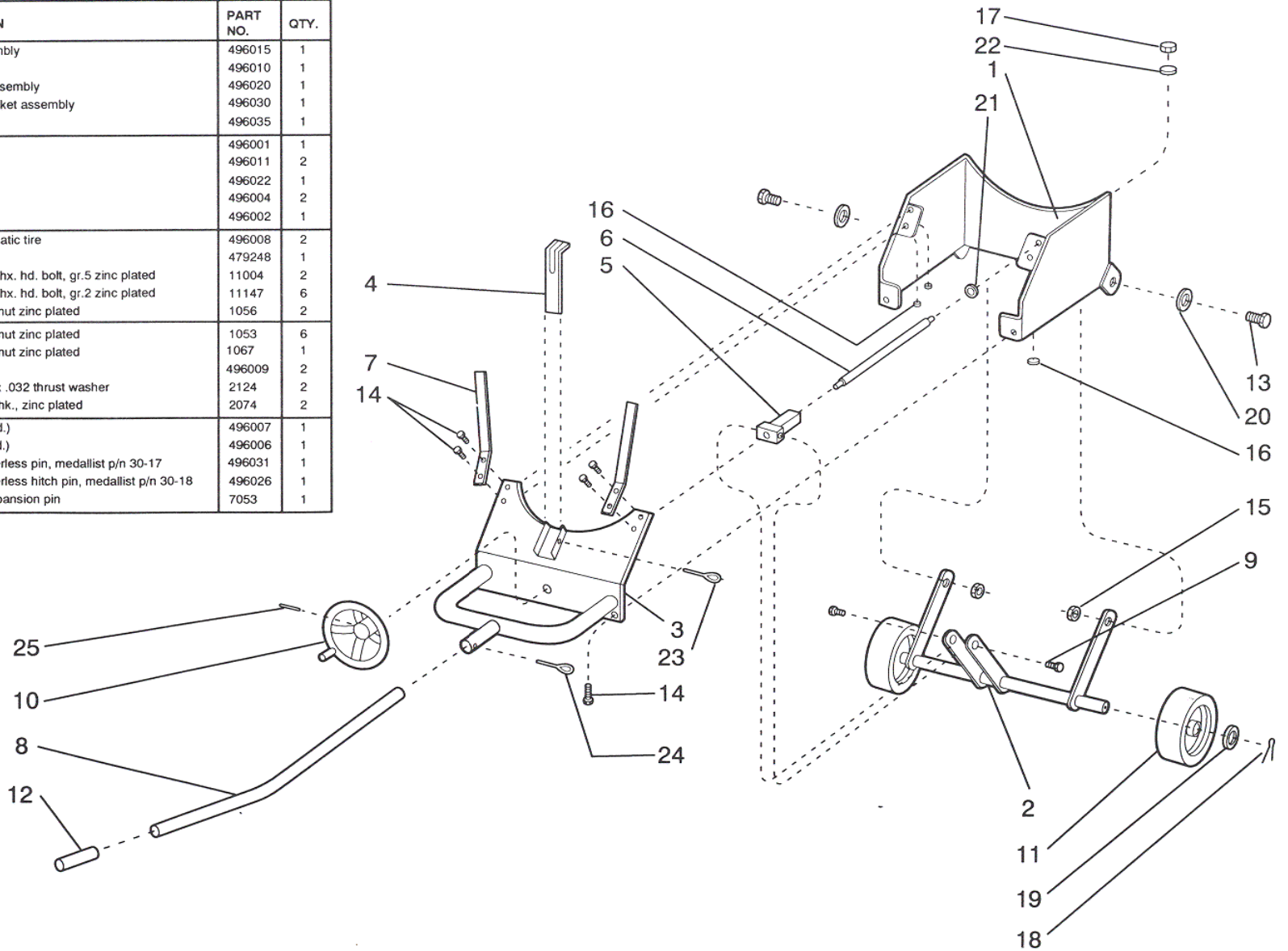


INDEX NO.	DESCRIPTION	PART NO.	QTY.
1	Carriage frame assembly	496015	1
2	Axle assembly	496010	1
3	Carriage end plate assembly	496020	1
4	Adjustable angle bracket assembly	496030	1
5	Trunion assembly	496035	1
6	Drive screw	496001	1
7	Bar stop	496011	2
8	Handle	496022	1
9	Trunion screw	496004	2
10	Round handle	496002	1
11	Wheel w/semi-pneumatic tire	496008	2
12	Handle grip	479248	1
13	1/2" - 13 unc x 1 1/2" hx. hd. bolt, gr.5 zinc plated	11004	2
14	1/4" - 20 unc x 1 1/4" hx. hd. bolt, gr.2 zinc plated	11147	6
15	1/2" - 13 unc ny-lock nut zinc plated	1056	2
16	1/4" - 20 unc ny-lock nut zinc plated	1053	6
17	3/8" - 24 unc ny-lock nut zinc plated	1067	1
18	Cotter pin	496009	2
19	3/4" i.d. x 1.220 o.d. x .032 thrust washer	2124	2
20	1/2" flat washer, 1/8 thk., zinc plated	2074	2
21	Large washer (3/8" i.d.)	496007	1
22	Small washer (3/8" i.d.)	496006	1
23	5/16 dia. x 1 5/8 cotterless pin, medallist p/n 30-17	496031	1
24	5/16 dia. x 2 1/8 cotterless hitch pin, medallist p/n 30-18	496026	1
25	3/16" dia. x 1 3/4" expansion pin	7053	1



REPLACEMENT PARTS

MODEL NO.
72040

CAPACITY

DESCRIPTION
BRAKE DRUM HANDLER

norco