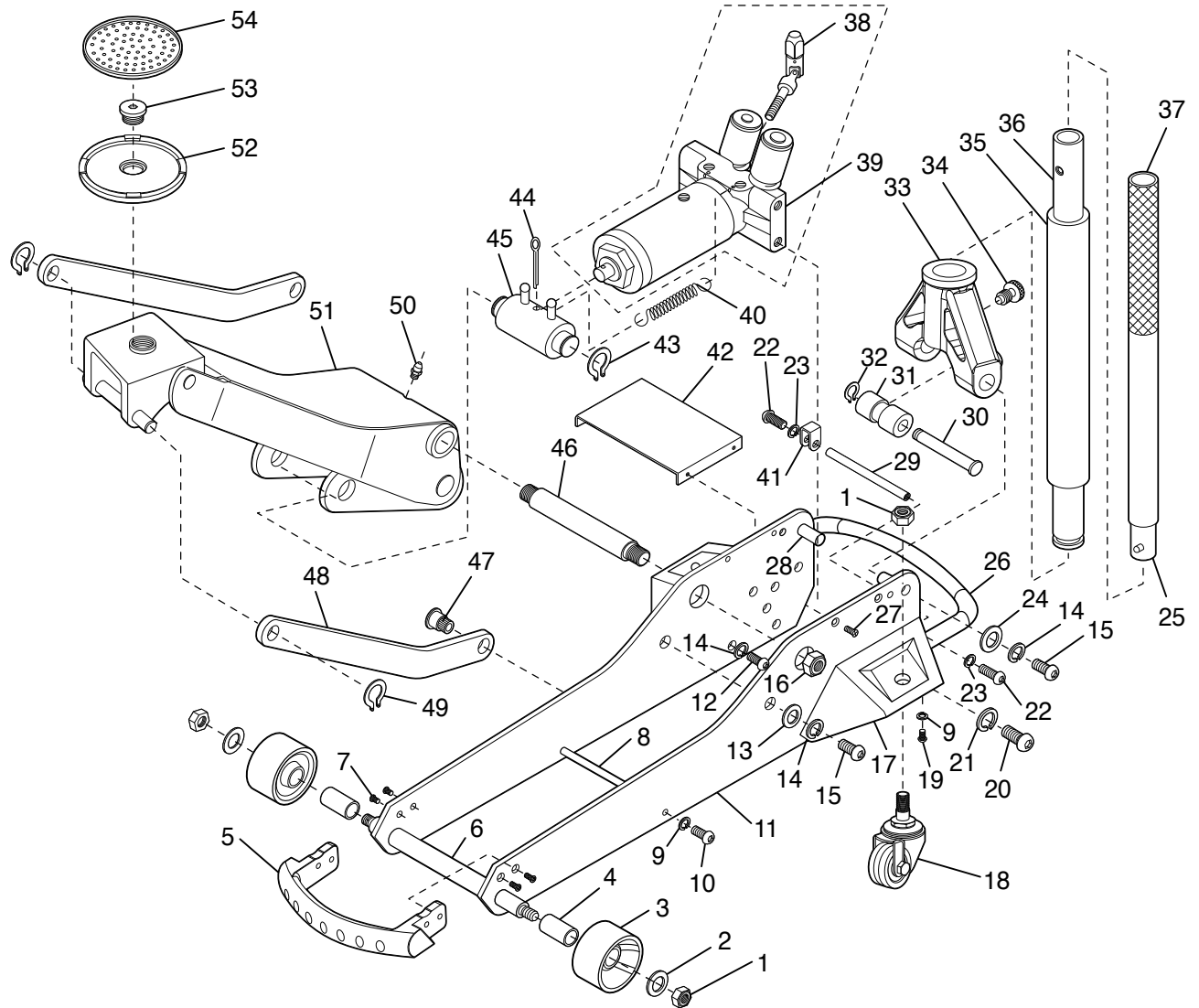


INDEX NO.	DESCRIPTION	PART NO.	REQ'D NO
1	Nut M12	214705	2
2	Front Wheel Washer	214735	2
3	Aluminum Front Wheel	45101304	2
4	Front Wheel Bushing	45101305	2
5	Front Carrying Grip	45101306	1
6	Front Wheel Axle	45101307	1
7	Screw M6X20	45101308	4
8	Tie Rod	45101309	1
9	Washer 6	45101310	4
10	Screw M6X20	45101311	2
11	Side Plate	45101312	2
12	Screw M6X25	45101313	6
13	Washer 10	45101314	2
14	Lock Washer 10	45101315	10
15	Screw M10X20	45101316	4
16	Nut M18	45101317	2
17	Rear Caster Mount	45101318	2
18	Nylon Caster Assy.	45101357	2
19	Screw M6X20	45101320	2
20	Screw M12X25	45101321	6
21	Washer 12	45101322	6
22	Screw M8X25	45101323	2
23	Washer 8	45101324	2
24	Washer 10	45101325	2
25	Handle Lock Clip	45101326	1
26	Rear Carrying Grip	45101327	1
27	Screw MSX16	45101328	4
28	Handle Base Bolt	45101329	2
29	Tie Rod	45101330	1
30	Pin Handle Base Roller	45101331	1
31	Roller, Handle Base	45101332	1
32	Retaining Ring 12	45101333	1
33	Handle Base	45101334	1
34	Handle Screw	45101335	1
35	Handle Bumper	45101336	1
36	Lower Handle Piece	45101337	1
37	Upper Handle Piece	45101338	1
38	U-joint	45101339	1
39	Hydraulic Pump Assy.	45101350	1
40	Spring	45101340	2
41	Spacer, Handle Base	45101341	2
42	Cover Plate	45101342	1
43	Retaining Ring 25	45101343	2
44	Cotter Pin	45101344	1
45	Trunion	45101345	1
46	Elevator Arm Pivot Pin	45101346	1
47	Control Arm Pin	45101347	2
48	Control Arm	45101348	2
49	Retaining Ring 16	45101349	2
50	Grease Fitting	45101351	1
51	Elevator Arm	45101352	1
52	Saddle	45101353	1
53	Saddle Screw	45101354	1
54	Saddle Pad	45101355	1



2024

REPLACEMENT PARTS

MODEL NO.
71203

CAPACITY
3 TON

DESCRIPTION
3 TON FLOOR JACK NYLON WHEELS

