

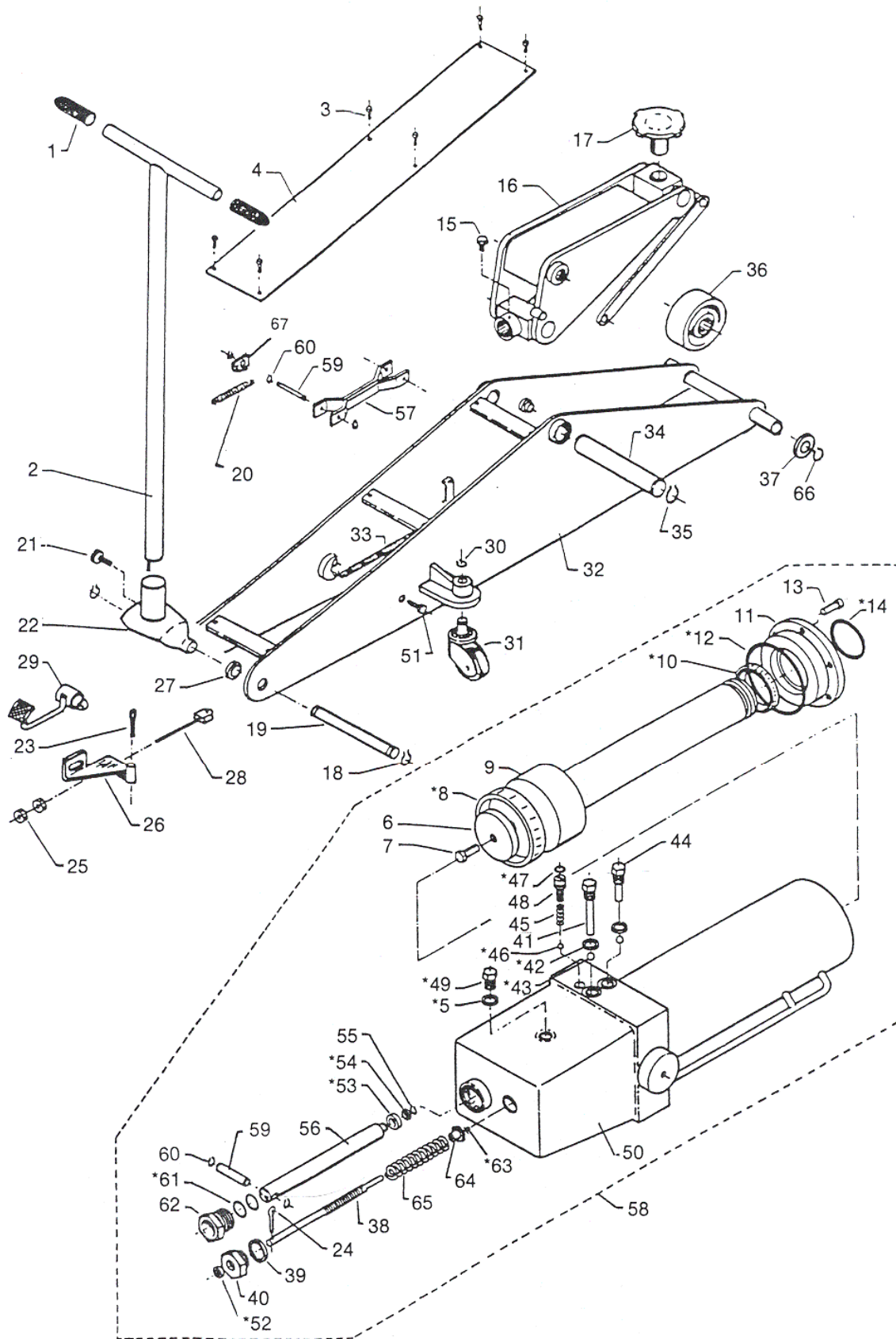
**NORCO**

DESCRIPTION  
HYDRAULIC FLOOR SERVICE JACK

CAPACITY  
10 TON

MODEL NO.  
71000B

REPLACEMENT  
PARTS



\*Designates those parts included in repair kit #210900.

INDEX NO.	DESCRIPTION	PART NO.	QTY.
1	Handle grip	251113	2
2	Handle	255626	1
3	Cover screw	255639	6
4	Cover	210220	1
*5	Copper washer	210118	1
6	Ram washer	210507	1
7	Ram screw	210508	1
*8	Ram "U" cup	210506	1
9	Ram	210505	1
*10	Oil seal	210504	1
11	Cylinder bearing	210502	1
*12	O-ring	210503	1
13	Screw	210512	6
*14	O-ring	210501	1
15	Screw	210547	1
16	Elevator arm assembly	210712	1
17	Lifting saddle	210241	1
18	Retaining ring	255135	2
19	Shaft	210699	1
20	Extension Spring	210708	1
21	Handle base screw	255122	1
22	Handle base	210706	1
23	Cotter pin	255132	1
24	Cotter pin	255206	1
25	Nut	255128	2
26	Release arm	210702	1
27	Washer	210704	1
28	Release lever	210703	1
29	Pump pedal	210701	1
30	Retaining ring	210254	2
31	Caster assembly	210267	2
32	Chassis	210244	1
33	Spring	210266	1
34	Elevator arm shaft	210256	1
35	Retaining ring	210257	2
36	Front wheel	210711	2
37	Flat washer	210258	2
38	Release shaft	255114	1
39	Gasket	255113	1
40	Release guide bushing	255112	1
41	Cover screw (intake)	210227	1
*42	Copper gasket	255018	2
*43	Check ball, .312 dia.	9005	2
44	Cover screw (discharge)	255020	1
45	Overload spring	255525	1
*46	Check ball, .250 dia.	9004	1
*47	O-ring	255523	1
48	Cover screw (overload)	255524	1
*49	Reservoir fill plug	210320	1
50	Hydraulic block	210499	1
51	Mounting bolt	210246	2
*52	Release oil seal	255111	1
*53	Pump piston "U" cup	255107	1
*54	Brass retainer washer	255108	1
55	Retaining ring	255109	1
56	Pump piston	255530	1
57	Connecting rod	210705	1
58	Hyd. block assembly complete	210510	1
59	Rivet pin	255124	2
60	Retaining ring	255120	4
*61	O-ring	255522	2
62	Pump bearing (brass)	255104	1
*63	Check ball, .156 dia.	255104	1
64	Spring guide	255116	1
65	Release spring	255115	1
66	Retaining ring	210513	2
67	Spring Clip	210709	1

\*Designates those parts included in repair kit #210900.