



PROFESSIONAL LIFTING EQUIPMENT

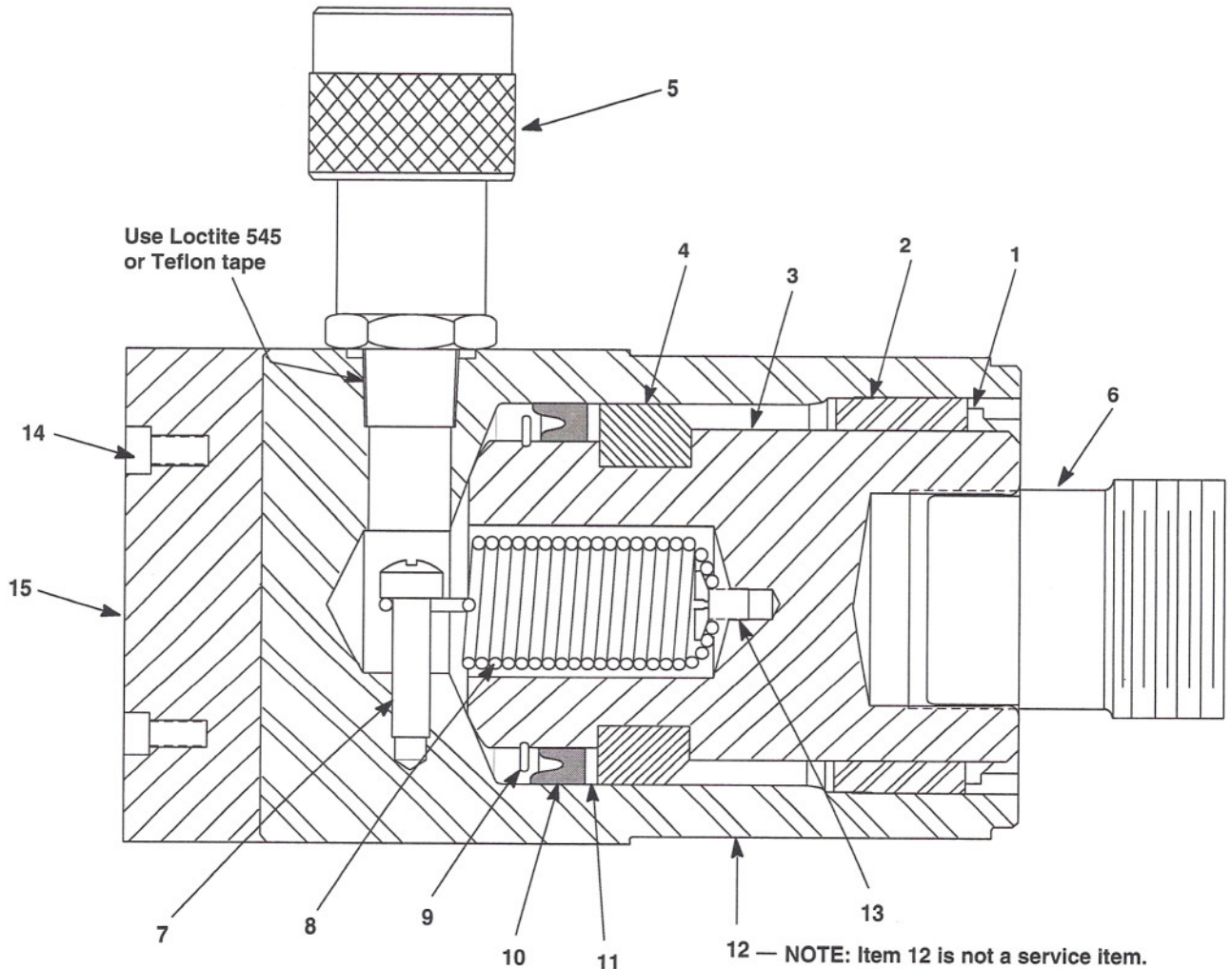
Repair Parts Sheet

925023, 925026A
Cylinders

L1995 Rev. C 10/00

For Date Codes Beginning with the Letter "A"

INSTALL ALL KIT COMPONENTS TO INSURE OPTIMUM PERFORMANCE OF THE REPAIRED CYLINDER.



Use Loctite 545
or Teflon tape

12 — NOTE: Item 12 is not a service item.
Order complete cylinder.

Washer, item 11, to be oriented with
radius or chamfered edge toward
bearing, item 4, and sharp edge
toward u-cup, item 10.

Repair Parts List

Item	925023	925026A	Qty.	Description
1	★	★	1	Wiper Ring
2	G899044	G899044	1	Stop Ring
3	DA2280040	DA2279040	1	Plunger
4	G898107	G898107	1	Rod Bearing
5	910038A	910038A	1	Coupler
6	L623900	DA5416038	1	Saddle
7	G836028	G836028	1	Screw
8	CB425110	L202110	1	Spring
9	★	★	1	Retaining Ring
10	★	★	1	U-Cup
11	★	★	1	Washer
12	<i>Not available as a service item. Order complete cylinder.</i>			Cylinder
13	DA2286028	DA4338900	1	Screw
14	—	B1139028	2	Capscrew
15	—	G929038	1	Adaptor
16	DA4338900	DA4338900	1	Dust Cap (not shown)
17	DC1244271	DC1244271	1	Thread Protector (not shown)

★ Items included in and available only as part of Repair Kit RC2510K.