



PROFESSIONAL LIFTING EQUIPMENT

Repair Parts Sheet

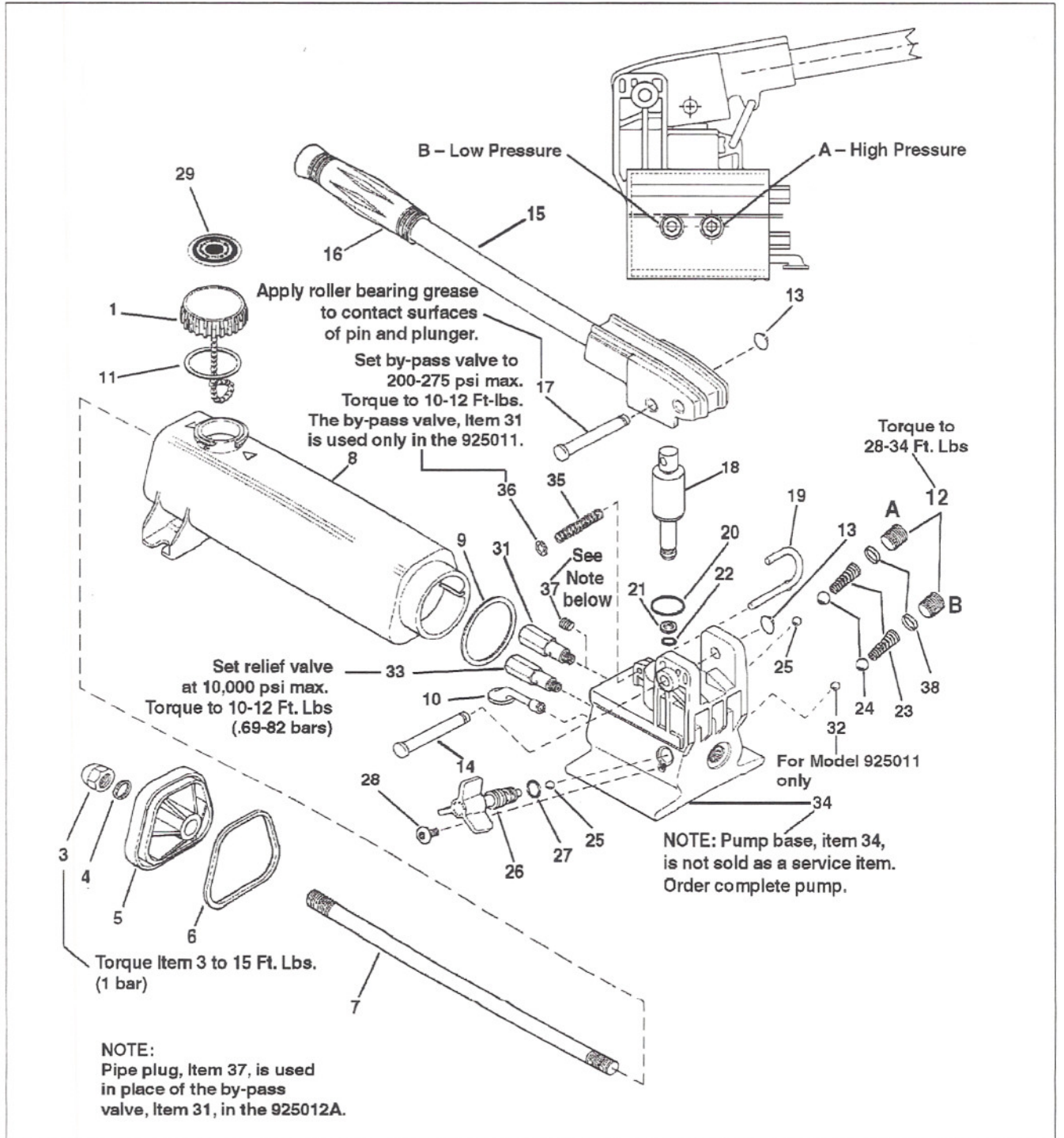
925011 / 925012A

L1992 Rev. C 11/00

For Date Codes Beginning with the Letter "B"

To Protect Your Warranty, Use Only High-Quality Hydraulic Oil.

Install all kit components to insure optimum performance of the repaired product



Repair Parts List

Item	Part Number	Qty.	Description	Item	Part Number	Qty.	Description
1	CN766950SR	1	Vent Cap Assembly (includes items 11, 29)	20	★ B1254503	1	O-ring
3	CL341055	1	Acorn Nut	21	★ B1011564	1	Back-up ring
4	★ CU293167	1	Gasket	22	★ B1011803	1	O-ring
5	CN814020	1	End Cap	23	★ DA1176210	2	Spring
6	★ B1281503	1	Gasket O-ring	24	★ B1009016	2	5/16" Ball
7	CL127149	1	Tie Rod	25	★ B1006016	2	7/32" Ball
8	S95032025	1	Reservoir	26	CL913900SR	1	Spindle Assembly (includes item 25, 27, 28)
9	★ B1135517	1	Square Ring	27	★ B1007503	1	O-ring
10	★ DA3729900SR	1	Oil Filter	28	★ CU921028	1	Screw
11	★ CU724167	1	Gasket	29	CN780026	1	Vent Cap Decal
12	CN815006	2	Pipe Plug	31	DA5493900SR	1	By-pass Valve (925011 only)
13	★ DA1177349	2	Retaining Ring	32	B1006016	1	Inlet Check Ball (925011 only)
14	★ CR214061SR	1	Beam Pin (incl. item 13)	33	DA8802900SR	1	Relief Valve
15	CL918900SR	1	Beam and Handle Assembly	34	Not a service item.	1	Base (not a service item. Order complete pump)
16	CL343550	1	Handle Grip	35	Y267110	1	Spring
17	DC106061	1	Cross Pin	36	★ CM928044	1	Retaining Ring
18	CR333040SR	1	Piston Link Assembly (includes item 13, 17)	37	A1006245	1	Pipe Plug (925012A only)
19	CM927061SR	1	Locking Pin (incl. item 35, 36)	38	★ DA3702020	2	Spring Cap

★ Indicates items included in, and available only as part of Repair Kit 925012AK.