



PROFESSIONAL LIFTING EQUIPMENT

## Repair Parts Sheet

### 910010

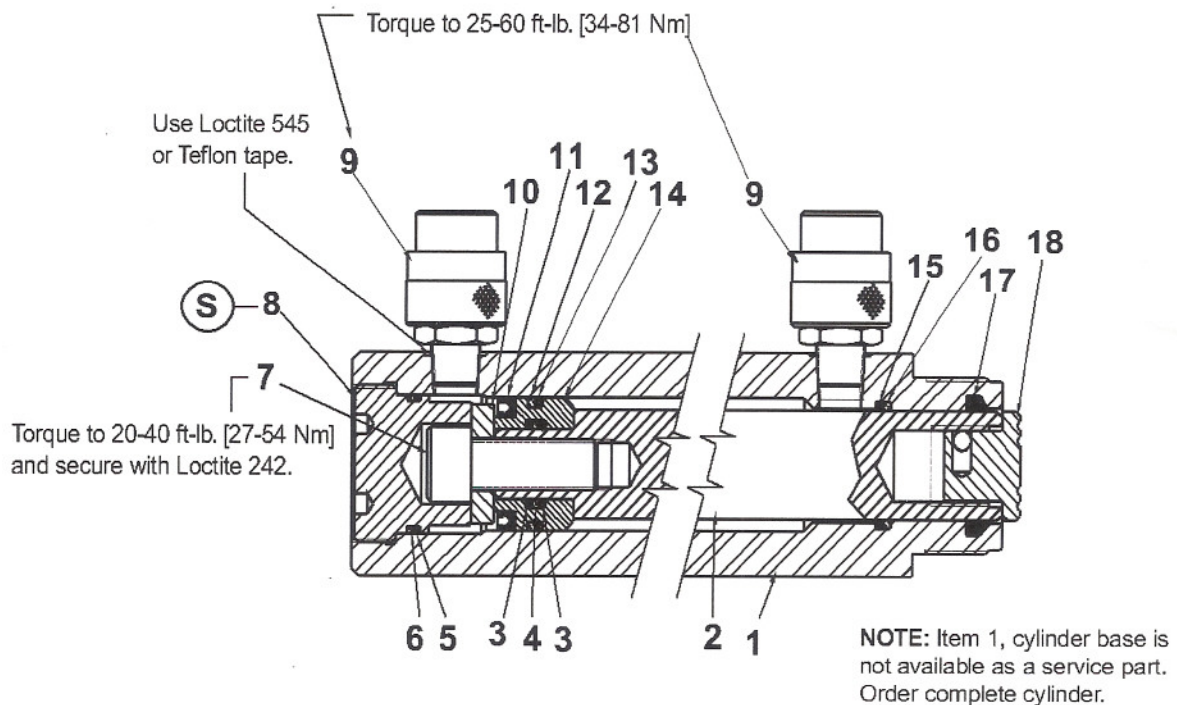
L2301

Rev. 0

6/98

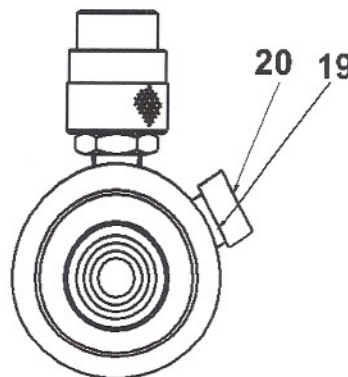
For Date codes beginning with "B".

**INSTALL ALL KIT COMPONENTS TO INSURE OPTIMUM PERFORMANCE OF THE REPAIRED CYLINDER.**



### S CAUTION

Indicates staked threads.  
 Stake mark must be removed prior to disassembly. Failure to do so may result in damage to parts.  
 Some cylinder stop rings are assembled with Loctite on threads.  
 Stake threads when reassembling.



## REPAIR PARTS LIST

ITEM	PART NUMBER	QUANTITY	DESCRIPTION
1	Order complete cylinder	1	Cylinder Base (not serviceable)
2	C823040	1	Plunger
3	★B1036562	1	Backup Washer
4	★B1017503	1	O-Ring
5	★B1264503	1	O-Ring
6	★B1362562	1	Backup Washer
7	B1410028	1	Socket Head Cap Screw
8	C965570	2	Cap
9	DC139100	2	Female Coupler
10	C802049	1	Washer
11	★K12041	1	U-Packing
12	K1045562	1	Backup Washer
13	★B1026503	1	O-Ring
14	C821051	1	Piston
15	★B12200903	1	O-Ring
16	★B1044562	1	Backup Washer
17	★C878044	1	Wiper
18	A102G	1	Saddle
19	DA6960900SR	1	Relief Valve Assembly
20	DA6914020	1	Cap
21	CD411M	1	Dust Cap (not shown)

★ Indicates items included in Repair Kit RR1012K.