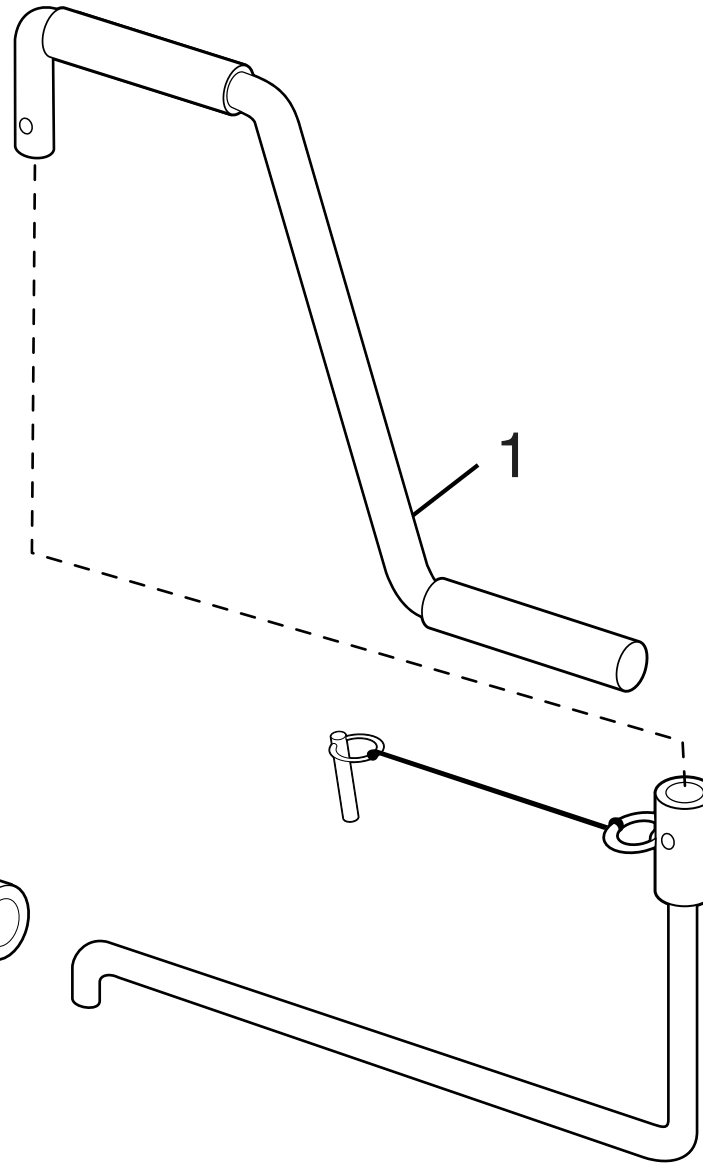
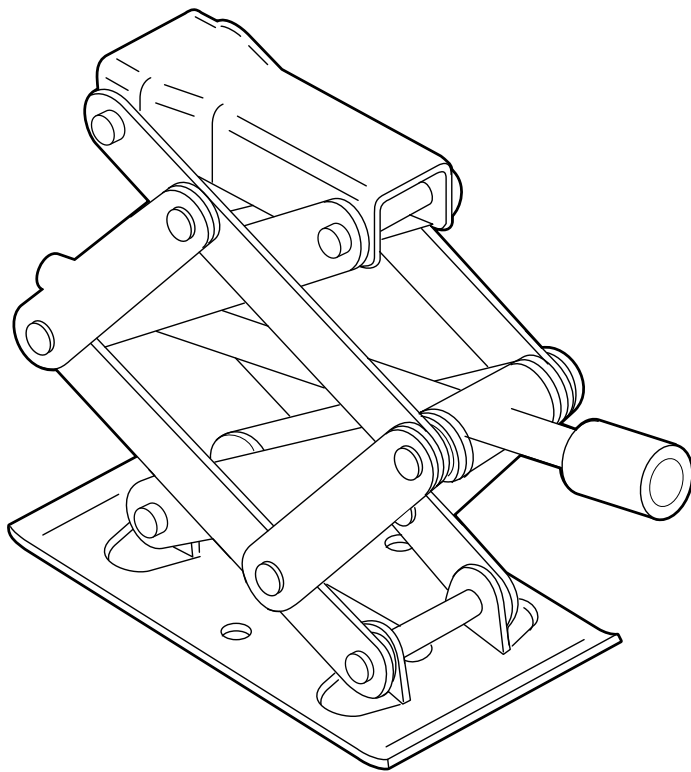


INDEX NO.	DESCRIPTION	PART NO.	REQ'D NO.
1	Handle Assembly w/Chain and Pin	45100788	1



REPLACEMENT PARTS

MODEL NO.  
82002C

CAPACITY  
1-1/2 TON

DESCRIPTION  
SCISSORS JACK

