

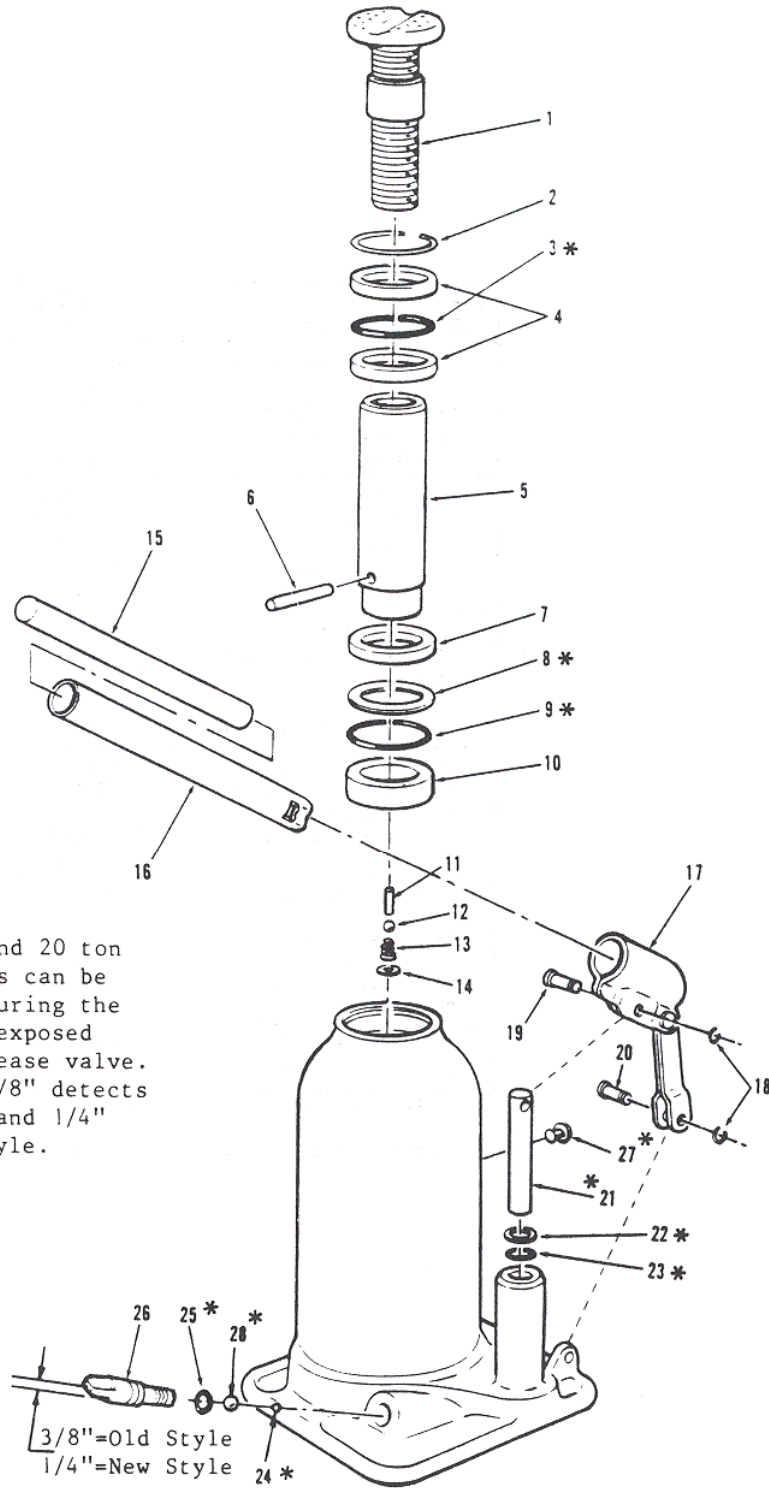


DESCRIPTION
LOW HEIGHT AXLE JACK

CAPACITY
20 TON

MODEL NO.
76820

REPLACEMENT
PARTS



The new style 12 and 20 ton capacity axle jacks can be identified by measuring the flat sides of the exposed portion of the release valve. A measurement of 3/8" detects an old style jack and 1/4" detects the new style.

*Designates those parts included in repair kit #620500N.

INDEX NO.	DESCRIPTION	PART NO.	QTY.
1	Extension screw assembly	621005	1
2	Snap ring	621011	1
*3	O-ring, ram wiper	621012	1
4	Upper bearing	621026	2
5	Ram	621028	1
6	Limit pin	621016	1
7	Ram bearing (A)	621017	1
*8	Backup ring	621018	1
*9	O-ring, ram	621019	1
10	Ram bearing (B)	621021	1
11	Valve pin	621022	1
12	Check ball, 1/4" dia.	9004	1
13	Spring	4007	1
14	Retainer	2005	1
15	Upper handle section	625108	1
16	Lower handle section	625107	1
17	Lever linkage assembly	605110	1
18	Snap ring	12003	2
19	Pin link, (upper)	7006	1
20	Pin link, (lower)	7007	1
*21	Pump plunger	605111	
*22	Back-up ring	12007	1
*23	O-ring	12005	1
*24	Check ball, injection	9001	1
*25	O-ring	12001	1
26	Release valve	602056	1
*27	Plug, oil filler	11001	1
*28	Check ball, release	9005	1

*Designates those parts included in repair kit #620500N.