

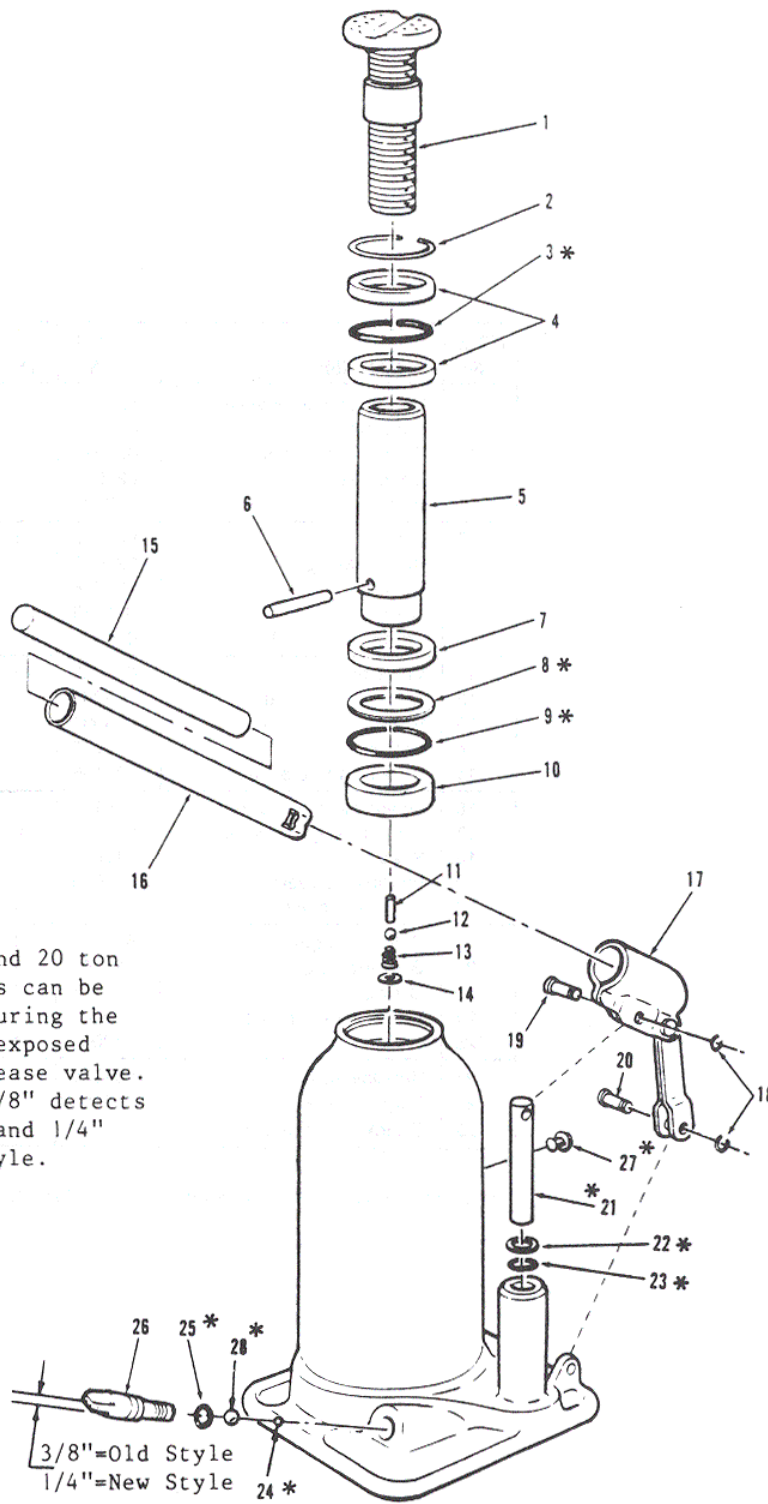
norco

DESCRIPTION
STANDARD HEIGHT AXLE JACK

CAPACITY
20 TON

MODEL NO.
76520

REPLACEMENT
PARTS



The new style 12 and 20 ton capacity axle jacks can be identified by measuring the flat sides of the exposed portion of the release valve. A measurement of 3/8" detects an old style jack and 1/4" detects the new style.

*Designates those parts included in repair kit #620500N.

| INDEX NO. | DESCRIPTION | PART NO. | QTY. |
|-----------|--------------------------|----------|------|
| 1 | Extension screw assembly | 621005 | 1 |
| 2 | Snap ring | 621011 | 1 |
| *3 | O-ring, ram wiper | 621012 | 1 |
| 4 | Upper bearing | 621026 | 2 |
| 5 | Ram | 6210027 | 1 |
| 6 | Limit pin | 621016 | 1 |
| 7 | Ram bearing (A) | 621017 | 1 |
| *8 | Back-up ring | 621018 | 1 |
| *9 | O-ring, ram | 621019 | 1 |
| 10 | Ram bearing (B) | 621021 | 1 |
| 11 | Valve pin | 621022 | 1 |
| 12 | Checkball, 1/4" dia. | 9004 | |
| 13 | Spring | 4007 | 1 |
| 14 | Retainer | 2005 | 1 |
| 15 | Upper handle section | 625108 | 1 |
| 16 | Lower handle section | 625107 | 1 |
| 17 | Lever linkage assembly | 605110 | 1 |
| 18 | Snap ring | 12003 | 2 |
| 19 | Pin link, (upper) | 7006 | 1 |
| 20 | Pin link, (lower) | 7007 | 1 |
| *21 | Pump plunger | 605111 | 1 |
| *22 | Back-up ring | 12007 | 1 |
| *23 | O-ring | 12005 | 1 |
| *24 | Check ball, injection | 9001 | 1 |
| *25 | O-ring | 12001 | 1 |
| 26 | Release valve | 602056 | 1 |
| *27 | Plug, oil filler | 11001 | 1 |
| *28 | Check ball, release | 9005 | 1 |

*Designates those parts included in repair kit #620500N.