

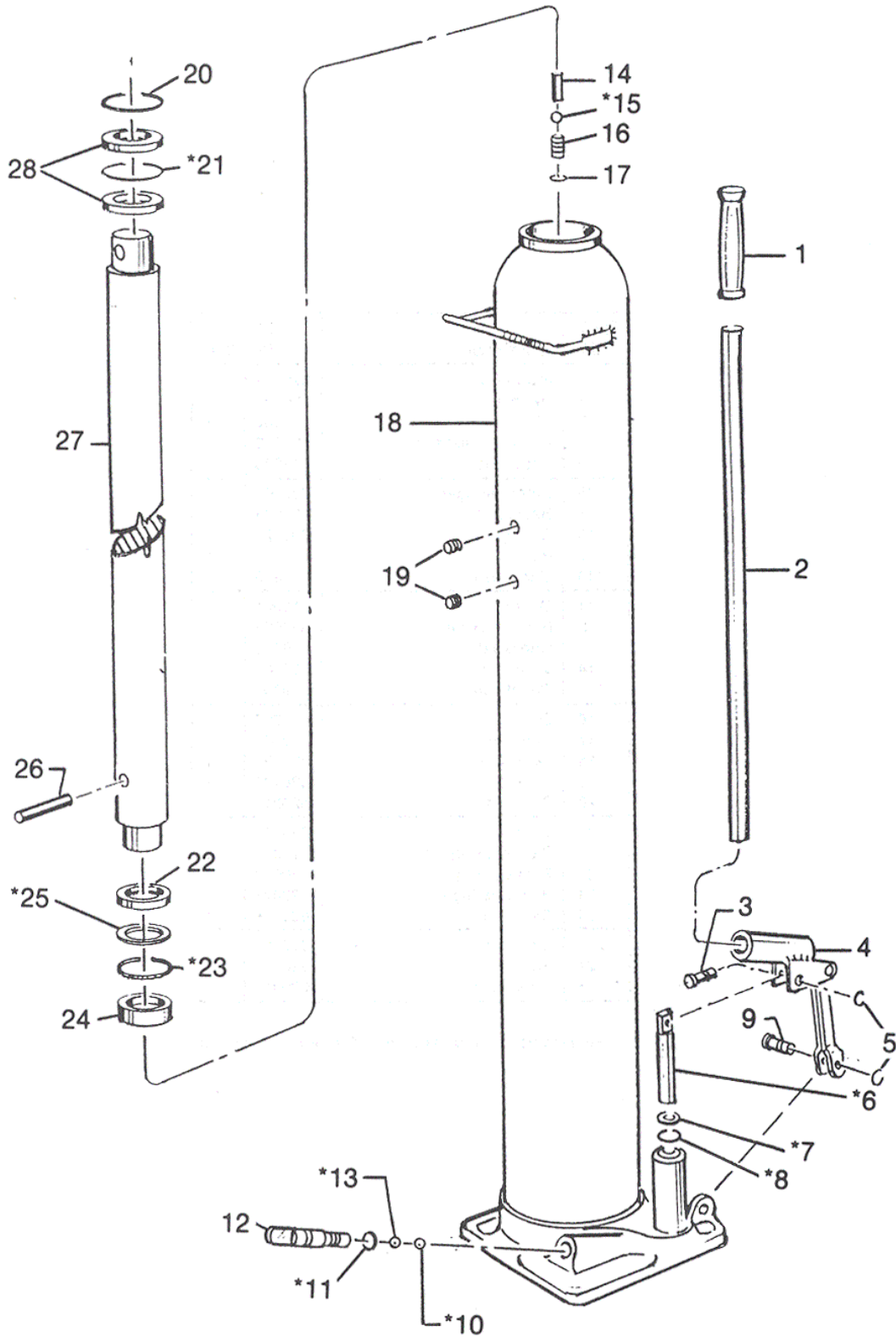
**norco**

DESCRIPTION  
LONG STROKE HAND JACK

CAPACITY  
12 TON

MODEL NO.  
76420

REPLACEMENT  
PARTS



INDEX NO.	DESCRIPTION	PART NO.	QTY.
1	Handle grip	620103	1
2	Handle	620104	1
3	Pin	7006	1
4	Lever link assembly	620110	1
5	Snap ring	12003	2
*6	Pump plunger	620107	1
*7	Backup ring	605028	1
*8	O-ring	605027	1
9	Pin	7007	1
*10	Checkball	9002	1
*11	O-ring	12001	1
12	Release valve	602056	1
*13	Checkball	9005	1
14	Valve pin	620102	1
*15	Checkball	9004	1
16	Spring	4007	1
17	Retainer	2005	1
18	Jack body	620105	1
19	Pipe plug	620106	2
20	Snap ring	620011	1
*21	O-ring	620012	1
22	Ram bearing - A	620017	1
*23	Backup ring	620019	1
24	Ram bearing - B	620021	1
*25	Backup ring	620018	1
26	Limit pin	620016	1
27	Ram	620101	1
28	Upper bearing	620013	2

\* = Represents those parts included in repair kit #620200.