

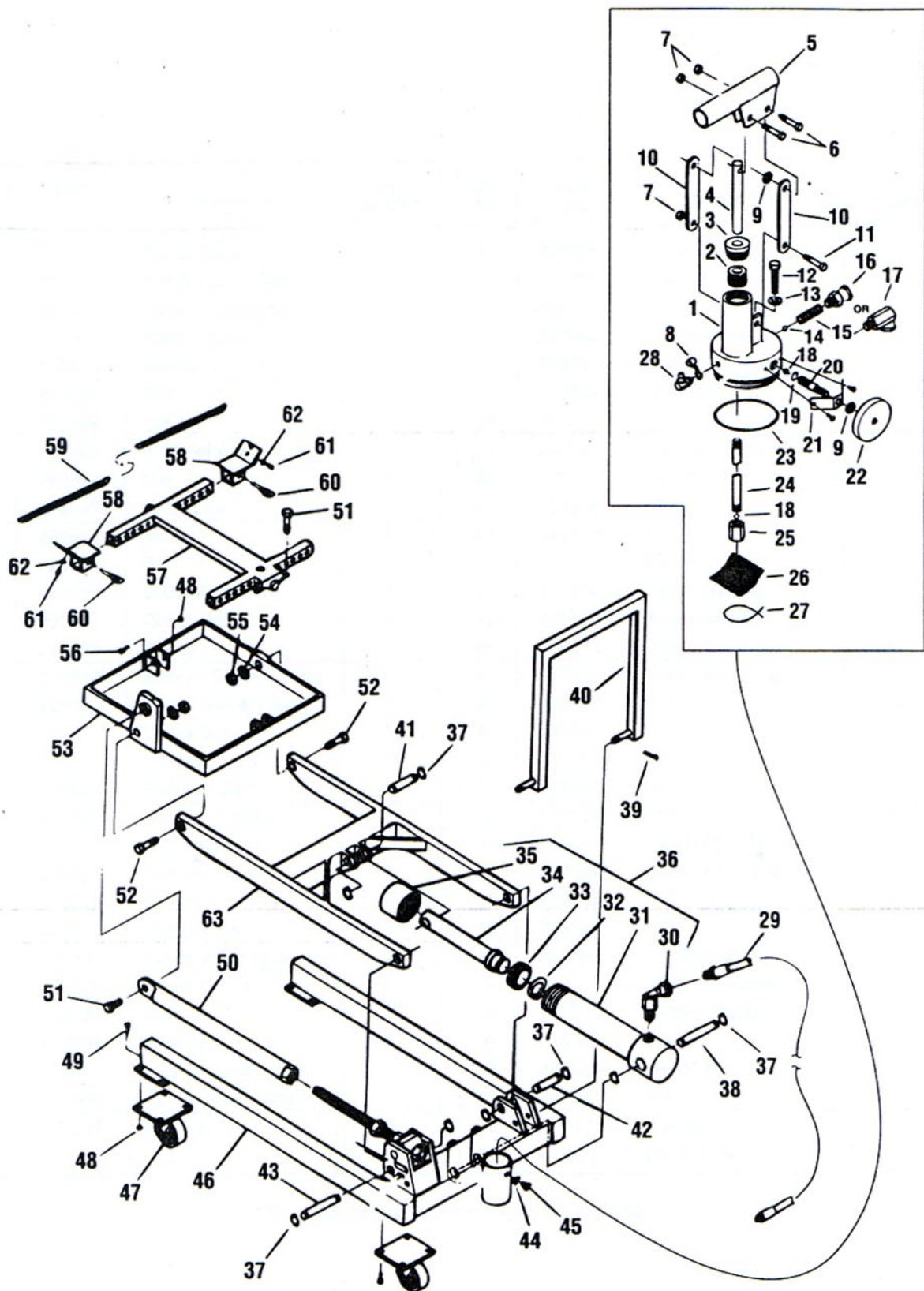
norco

DESCRIPTION
TRANSMISSION JACK

CAPACITY
1 TON

MODEL NO.
72010

REPLACEMENT
PARTS



INDEX NO.	PART NO.	DESCRIPTION	QTY. REQUIRED
1	229501	Pump Body	1
* 2	229502	Pump Piston Seal	1
3	229503	Pump Housing Nut	1
4	229504	Pump Piston	1
5	229506	Handle	1
6	229507	Bolt	2
7	229508	Nut	3
8	229509	Breather Cap	1
9	229511	Nut	2
10	229512	Lever Link	2
11	229513	Bolt	1
12	229514	Bolt	1
13	229516	Brass Washer	1
* 14	9005	Check Ball	1
15	229518	Spring	1
16	229519	Straight Swivel Fitting	1
17	229521	Elbow Swivel Fitting	1
* 18	9004	Check Ball	2
* 19	229523	O-Ring	1
20	229524	Release Stem	1
21	229526	Release Retainer with 2 screws	1 Set
22	229527	Release Handle	1
* 23	229528	Reservoir O-Ring	1
24	229529	Intake Tube	1
25	229531	Intake Valve Body	1
26	229532	Intake Screw	1
27	229533	Wire Tie	1
28	229534	Breather	1
29	229505	Hydraulic Hose Assy.	1
30	229536	45° Degree Fitting	1
31	229537	Cylinder	1

INDEX NO.	PART NO.	DESCRIPTION	QTY. REQUIRED
32	229538	Retainer Ring	1
* 33	229539	Seal	1
34	229541	Ram	1
35	229542	Cylinder Nut	1
36	229510	Complete Cylinder Assy.	1
37	229543	Retaining Ring	8
38	229544	Pin	1
39	229546	Hair Pin Cotter	1
40	229547	Handle	1
41	229548	Pin	1
42	229549	Pin	1
43	229551	Pin	1
44	229552	Teflon Washer	1
45	229553	Reservoir Fill Bolt	1
46	229515	Frame Assembly	1
47	229520	Caster Assembly	4
48	229554	Nut	10
49	229556	Bolt	16
50	229557	Tie Rod Sheath	1
51	229558	Bolt	2
52	229559	Bolt	4
53	229561	Fore/Aft Tilt Table	1
54	229562	Split Lockwasher	2
55	229563	Nut	2
56	229564	Bolt	2
57	229566	"H" Shaped Side Tilt Frame	1
58	229567	Saddle Bracket	4
59	229568	Chain	2
60	229569	Detent Pin	4
61	229571	Bolt	4
62	229572	Washer	4
63	229570	Elevator Arm Assy.	1

* Designates those parts in Repair Kit #229550